

**PROGEF Standard Diaphragm valve DIASTAR TenPlus
FC (Fail safe to close)
Unions with fusion sockets metric**

Model:

- Material: PP-H
- Double flow rate compared to predecessor
- One housing nut replaces four screws
- Rotating air connection at 90° intervals
- For easy installation and removal
- Short overall length

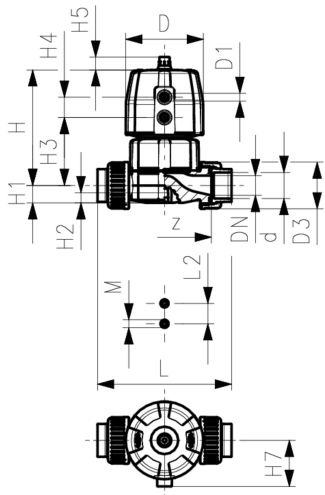
Option:

- Individual configuration of the valve
- Comprehensive range of accessories available

* PN: PTFE

Working Pressure: **both sides**

* O-Ring material: FKM



d (mm)	DN (mm)	Size (inch)	PN (bar)	PN* (bar)	kv-value ($\Delta p=1$ bar) (l/min)	EPDM Code	Weight (kg)	FKM Code	Weight (kg)
20	15	½	10	10*	125	167 684 012	0.958	167 684 062	0.958
25	20	¾	10	10*	271	167 684 013	1.082	167 684 063	1.082
32	25	1	10	10*	481	167 684 014	1.970	167 684 064	1.970
40	32	1 ¼	10	10*	759	167 684 015	3.136	167 684 065	3.136
50	40	1 ½	10	10*	1263	167 684 016	4.784	167 684 066	4.784
63	50	2	10	10*	1728	167 684 017	6.076	167 684 067	6.076

d (mm)	PTFE/ EPDM* Code	Weight (kg)	PTFE/FKM* Code	Weight (kg)
20	167 684 032	0.958	167 684 052	0.958
25	167 684 033	1.094	167 684 053	1.094
32	167 684 034	1.881	167 684 054	1.881
40	167 684 035	3.156	167 684 055	3.156
50	167 684 036	4.827	167 684 056	4.827
63	167 684 037	5.763	167 684 057	5.763

d (mm)	D (mm)	D1_G (inch)	H (mm)	H1 (mm)	H2 (mm)	H3 (mm)	H4 (mm)	H5 (mm)	H7 (mm)	L (mm)	L2 (mm)	M	z (mm)	Lift = Hx (mm)
20	96	¾	127	14	12	68	25	16	57	128	25	M6	96	7
25	96	¾	132	18	12	73	25	16	57	150	25	M6	114	10
32	120	½	167	22	12	93	26	26	69	162	25	M6	122	13
40	150	¾	196	26	15	101	36	26	88	184	45	M8	140	15
50	180	¾	239	32	15	124	37	26	103	210	45	M8	160	19
63	180	¾	251	39	15	137	37	26	103	248	45	M8	190	23

d (mm)	closest inch (inch)
20	¾
25	¾
32	1
40	1 ¼
50	1 ½
63	2

Data sheet

valid from: 7/18/23



The technical data are not binding. They neither constitute expressly warranted characteristics nor guaranteed properties nor a guaranteed durability. They are subject to modification. Our General Terms of Sale apply.

Georg Fischer Piping Systems Ltd, Postfach, CH-8201 Schaffhausen/Switzerland Phone +41 -(0)52-631 1111 e-mail: info.ps@georgfischer.com Internet: <http://www.gfps.com>