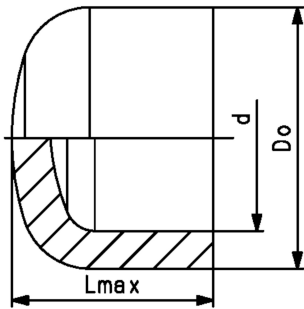




ecoFIT End cap PE80 d20-110mm

d (mm)	DN (mm)	PN (bar)	Code	Weight (kg)	Do (mm)	Lmax (mm)
20	15	10	733 960 106	0.010	30	27
25	20	10	733 960 107	0.016	36	30
32	25	10	733 960 108	0.025	44	34
40	32	10	733 960 109	0.038	53	38
50	40	10	733 960 110	0.061	65	44
63	50	10	733 960 111	0.097	80	51
75	65	10	733 960 112	0.150	91	66
90	80	10	733 960 113	0.274	111	77
110	100	10	733 960 114	0.405	137	93



The technical data are not binding. They neither constitute expressly warranted characteristics nor guaranteed properties nor a guaranteed durability. They are subject to modification. Our General Terms of Sale apply.

Georg Fischer Piping Systems Ltd, Postfach, CH-8201 Schaffhausen/Switzerland Phone +41 -(0)52-631 1111 e-mail:
info.ps@georgfischer.com Internet: <http://www.gfps.com>