

## PROGEF Standard Diaphragm valve type 519 With butt fusion spigots metric

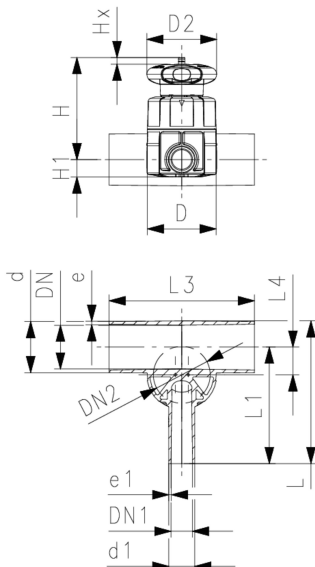
### Model:

- Material: PP-H
- Double flow rate compared to predecessor
- One housing nut replaces four screws
- Handwheel with built-in locking mechanism
- Smallest possible dead space

### Option:

- Individual configuration of the valve
- Self adjusting multifunctional module with integrated limit switches

\* O-Ring material: FKM



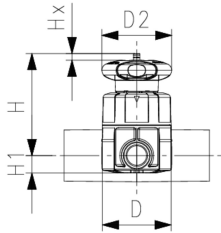
d	d1	DN	DN1	Size	Valve Size d	SDR	PN	kv-value
(mm)	(mm)	(mm)	(mm)	(inch)	(mm)		(bar)	( $\Delta p=1$ bar) (L/min)
20	20	15	15	½	20	11	10	57
25	20	20	15	¾	25	11	10	89
25	25	20	20	¾	25	11	10	118
32	20	25	15	1	25	11	10	80
32	25	25	20	1	25	11	10	105
32	32	25	25	1	32	11	10	231
40	20	32	15	1 ¼	32	11	10	85
40	40	32	32	1 ¼	32	11	10	187
50	20	40	15	1 ½	25	11	10	86
50	25	40	20	1 ½	32	11	10	160
50	32	40	25	1 ½	32	11	10	206
63	20	50	15	2	25	11	10	84
63	25	50	20	2	32	11	10	150
63	32	50	25	2	32	11	10	184

d	EPDM Code	PTFE/EPDM* Code	Weight (kg)
20	167 519 101	167 519 301	0.321
25	167 519 103	167 519 303	0.397
25	167 519 104	167 519 304	0.399
32	167 519 107	167 519 307	0.424
32	167 519 108	167 519 308	0.426
32	167 519 109	167 519 309	0.980
40	167 519 112	167 519 312	0.553
40	167 519 115	167 519 315	1.034
50	167 519 118	167 519 318	0.485
50	167 519 119	167 519 319	1.054
50	167 519 120	167 519 320	1.056
63	167 519 125	167 519 325	0.525
63	167 519 126	167 519 326	1.097
63	167 519 127	167 519 327	1.100

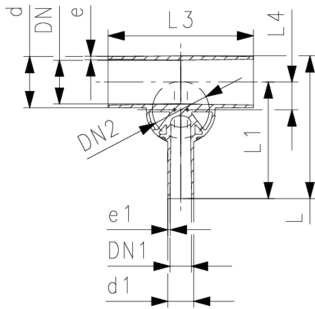
d	D	D2	H	L	L1	L3	L4	e	Lift = Hx	DN2	closest inch	e1
(mm)	(mm)	(mm)	(mm)	(mm)	(mm)	(mm)	(mm)	(mm)	(mm)	(mm)	(inch)	(mm)
20	65	65	75	117	96	162	12	1.9	7	15	½	1.9
25	80	65	80	133	108	162	16	2.3	10	20	¾	1.9
25	80	65	80	133	108	162	16	2.3	10	20	¾	2.3
32	80	65	84	142	120	162	19	2.9	10	20	1	1.9
32	80	65	84	142	120	162	19	2.9	10	20	1	2.3
32	88	87	107	145	120	160	19	2.9	13	25	1	2.9
40	88	87	115	149	128	180	23	3.7	13	25	1 ¼	1.9
40	88	87	115	174	153	180	23	3.7	13	25	1 ¼	3.7
50	80	65	97	160	134	180	27	4.6	10	20	1 ½	1.9

# Data sheet

valid from: 12/24/23



d (mm)	D (mm)	D2 (mm)	H (mm)	L (mm)	L1 (mm)	L3 (mm)	L4 (mm)	e (mm)	Lift = Hx (mm)	DN2 (mm)	closest inch (inch)	e1 (mm)
50	88	87	120	160	134	180	28	4.6	13	25	1 ½	2.3
50	88	87	120	160	134	180	28	4.6	13	25	1 ½	2.9
63	80	65	104	177	144	180	33	5.8	10	20	2	1.9
63	88	87	127	177	144	180	35	5.8	13	25	2	2.3
63	88	87	127	177	144	180	35	5.8	13	25	2	2.9



The technical data are not binding. They neither constitute expressly warranted characteristics nor guaranteed properties nor a guaranteed durability. They are subject to modification. Our General Terms of Sale apply.

Georg Fischer Piping Systems Ltd, Postfach, CH-8201 Schaffhausen/Switzerland Phone +41 -(0)52-631 1111 e-mail: info.ps@georgfischer.com Internet: <http://www.gfps.com>