



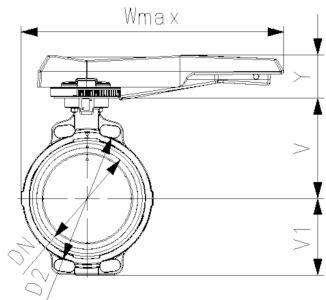
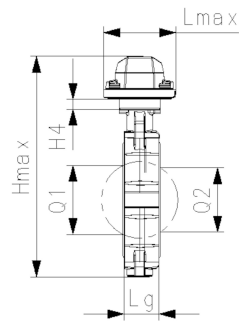
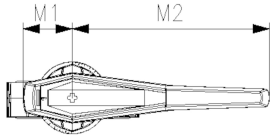
PROGEF Standard Wafer-style intermediate installation butterfly valve type 567
With hand lever
Flange standard metric/ANSI/BS/JIS

Model:

- Material: PP-H, DN350-DN600 material PP-R
- Up to DN 300: Overall length according to EN558 (DN 50-200: line 25, DN250, 300 line 16), ISO 5752
- Connecting dimension: ISO 7005 PN 10, EN 1092 PN 10, DIN 2501 PN 10, ANSI/ASME B 16.5 Class 150, BS 1560: 1989, BS 4504, JIS B 2220
- We recommend for the dimensions DN250 and DN300 only 6 bar maximum system pressure for the hand lever version

Note:

For some material combination (e.g. DN300 valves with PE/PP pipes) special flange adapters are needed. Please check the "Perfect flange connection tool" on www.gfps.com



d (mm)	Size (inch)	DN (mm)	PN (bar)	kv-value ($\Delta p=1$ bar) (l/min)	EPDM Code	Weight (kg)	FKM Code	Weight (kg)
63	2	50	10	740	167 567 002	1.170	167 567 022	1.627
75	2 ½	65	10	1500	167 567 003	1.254	167 567 023	1.061
90	3	80	10	2400	167 567 004	1.384	167 567 024	1.404
110	4	100	10	3800	167 567 005	1.961	167 567 025	1.998
140	5	125	10	8600	167 567 006	2.367	167 567 026	2.429
160	6	150	10	11400	167 567 007	3.741	167 567 027	3.246
225	8	200	10	19900	167 567 008	5.545	167 567 028	5.609
280	10	250	6	34000	167 567 009	11.061	167 567 029	11.841
315	12	300	6	50000	167 567 010	16.548	167 567 030	13.245

d (mm)	PTFE Code	Weight (kg)
63	167 567 202	1.170
75	167 567 203	1.254
90	167 567 204	1.384
110	167 567 205	1.961
140	167 567 206	2.367
160	167 567 207	3.741
225	167 567 208	5.545
280	167 567 209	11.061
315	167 567 210	16.548

d (mm)	Hmax (mm)	Lmax (mm)	Wmax (mm)	U (mm)	V (mm)	H4 (mm)	V1 (mm)	Lg (mm)	D2 (mm)	Q1 (mm)	Q2 (mm)	k (mm)	Y (mm)	M1 (mm)
63	278.9	115.2	269.0	90	133.3	23	78.8	45	104	40		125	66.8	64.7
75	291.8	115.2	281.8	90	139.9	23	85.1	46	115	54	35	145	66.8	64.7
90	303.6	115.2	273.9	90	145.6	23	91.2	49	131	67	50	160	66.8	64.7
110	342.2	115.2	336.0	90	166.4	23	105.7	56	161	88	74	180	70.1	64.9
140	368.9	115.2	349.0	90	180.0	23	118.8	64	187	113	97	210	70.1	64.9
160	390.0	115.2	363.0	90	189.0	23	130.9	72	215	139	123	240	70.1	64.9
225	455.1	149.4	543.0	90	210.5	23	158.3	73	267	178	169	295	86.3	103.6
280	555.0	149.4	574.0	125	262.6	23	206.1	113	329	210	207	350	86.3	103.6
315	599.4	149.4	599.7	125	284.3	23	228.8	113	379	256	253	400	86.3	103.6

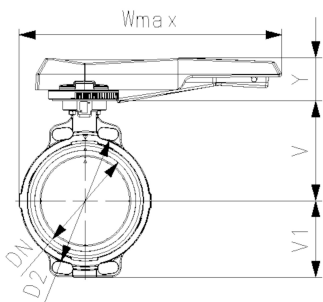
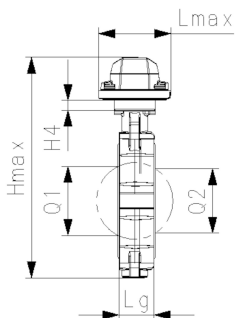
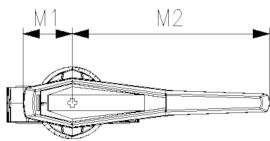
d (mm)	M2 (mm)
63	205.5
75	205.5
90	205.5
110	255.5
140	255.5

Data sheet

valid from: 12/22/23



d (mm)	M2 (mm)
160	255.5
225	409.5
280	409.5
315	409.5



The technical data are not binding. They neither constitute expressly warranted characteristics nor guaranteed properties nor a guaranteed durability. They are subject to modification. Our General Terms of Sale apply.

Georg Fischer Piping Systems Ltd, Postfach, CH-8201 Schaffhausen/Switzerland Phone +41 -(0)52-631 1111 e-mail: info.ps@georgfischer.com Internet: <http://www.gfps.com>