

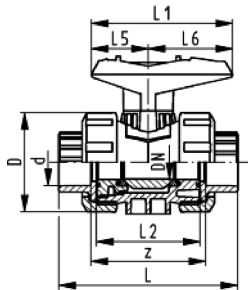
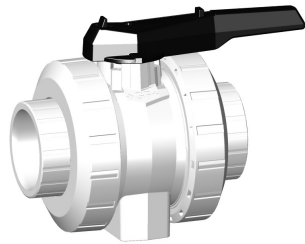
SYGEF Standard
Ball valve type 546
With mounting inserts
With fusion sockets metric

Model:

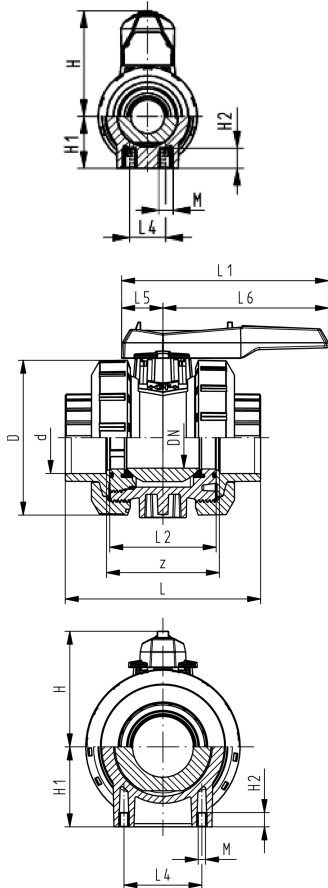
- Material: PVDF
- For easy installation and removal
- Ball seals PTFE
- Integrated stainless steel mounting inserts
- z-dimension, valve end and union nut are **not compatible** with type 346 (DN10/15-50) resp. type 370 (DN65-100)

Option:

- Individual configuration of the valve (see diagram)
- Multifunctional module with integrated limit switches
- Pneumatic or electric actuators from GF



d (mm)	PN (bar)	kv-value ($\Delta p=1$ bar) (l/min)	FKM Code	SP	GP	Weight (kg)
16	16	71	175 546 411	1	10	0.195
20	16	185	175 546 412	1	10	0.197
25	16	350	175 546 413	1	10	0.302
32	16	700	175 546 414	1	10	0.431
40	16	1000	175 546 415	1	6	0.760
50	16	1600	175 546 416	1	6	1.011
63	16	3100	175 546 417	1	4	1.856
75	16	5000	175 546 418	1	0	6.300
90	16	7000	175 546 419	1	0	9.500
110	16	11000	175 546 420	1	0	15.000



d (mm)	D (mm)	H (mm)	H1 (mm)	H2 (mm)	L (mm)	L1 (mm)	L2 (mm)	L4 (mm)	L5 (mm)	L6 (mm)	M	z (mm)	closest inch (inch)
16	50	57	27	12	93	77	56	25	32	45	M6	67	3/8
20	50	57	27	12	95	77	56	25	32	45	M6	66	1/2
25	58	67	30	12	109	97	65	25	39	58	M6	77	3/4
32	68	73	36	12	119	97	71	25	39	58	M6	83	1
40	84	90	44	15	135	128	85	45	54	74	M8	99	1 1/4
50	97	97	51	15	147	128	89	45	54	74	M8	105	1 1/2
63	124	116	64	15	168	152	101	45	66	87	M8	117	2
75	166	149	85	15	233	270	136	70	64	206	M8	167	2 1/2
90	200	161	105	15	254	270	141	70	64	206	M8	180	3
110	238	178	123	22	301	320	164	120	64	256	M12	215	4

Data sheet

valid from: 5/31/18



The technical data are not binding. They neither constitute expressly warranted characteristics nor guaranteed properties nor a guaranteed durability. They are subject to modification. Our General Terms of Sale apply.

Georg Fischer Piping Systems Ltd, Postfach, CH-8201 Schaffhausen/Switzerland

Phone +41 -(0)52-631 1111

e-mail: info.ps@georgfischer.com

Internet: <http://www.gfps.com>