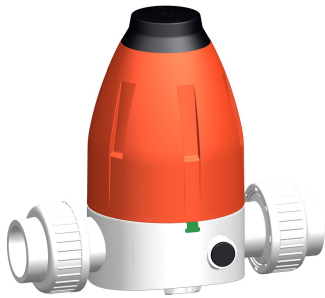


Data sheet

valid from: 6/22/23

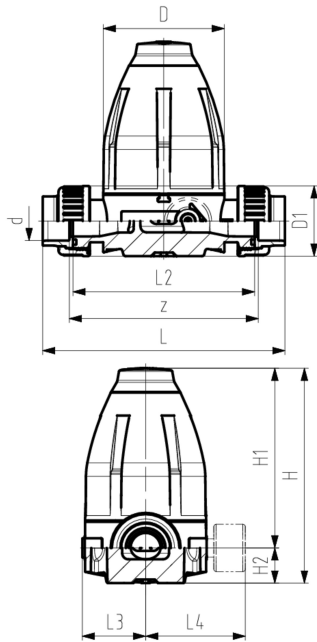


SYGEF Standard Pressure reducing valve type 582 With fusion sockets metric Without manometer

Model:

- Diaphragm PTFE/EPDM
- Integrated stainless steel mounting inserts
- 0.5-9.0 bar (7-130 psi)

0.3-3.0 bar (4-44 psi) on request
Manometer on request



d (mm)	DN (mm)	Size (inch)	PN (bar)	O-rings FKM Code	Weight (kg)
20	15	½	10	185 582 112	0.780
25	20	¾	10	185 582 113	1.650
32	25	1	10	185 582 114	1.700
40	32	1 ¼	10	185 582 115	4.530
50	40	1 ½	10	185 582 116	4.750
63	50	2	10	185 582 117	5.050

d (mm)	D (mm)	D1 (mm)	H (mm)	H1 (mm)	H2 (mm)	H3 (mm)	L (mm)	L2 (mm)	L3 (mm)	M	z (mm)	closest inch (inch)
20	79	43	132	111	21	12	158	120	42	M6	130	½
25	100	53	177	148	29	14	192	150	53	M6	160	¾
32	100	60	177	148	29	14	196	150	53	M6	160	1
40	147	74	251	207	44	21	255	205	76	M8	215	1 ¼
50	147	82	251	207	44	21	261	205	76	M8	215	1 ½
63	147	100	251	207	44	21	269	205	76	M8	215	2

The technical data are not binding. They neither constitute expressly warranted characteristics nor guaranteed properties nor a guaranteed durability. They are subject to modification. Our General Terms of Sale apply.

Georg Fischer Piping Systems Ltd, Postfach, CH-8201 Schaffhausen/Switzerland

Phone +41 -(0)52-631 1111

e-mail: info.ps@georgfischer.com

Internet: <http://www.gfps.com>