

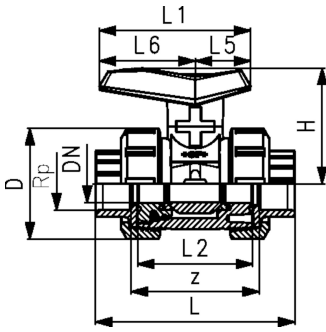
Ball valve type 542 PP-H
With threaded socket (Rp) reinforced
With PTFE ball seal

Model:

- For easy installation and removal
- Ball seat PTFE/ red lever

Option:

- Individual configuration of the valve possible
- Assembling of a valve tag possible



d (mm)	DN (mm)	Thread Type	Size (inch)	PN (bar)	kv-value ($\Delta p=1$ bar) (L/min)	EPDM Code	SP	Weight (kg)
16	10	Rp	3/8	10	71	167 542 021	1	0.120
20	15	Rp	1/2	10	185	167 542 022	1	0.130
25	20	Rp	3/4	10	350	167 542 023	1	0.180
32	25	Rp	1	10	700	167 542 024	1	0.282
40	32	Rp	1 1/4	10	1000	167 542 025	1	0.460
50	40	Rp	1 1/2	10	1600	167 542 026	1	0.635
63	50	Rp	2	10	3100	167 542 027	1	1.190

d (mm)	FKM Code	SP	Weight (kg)	D (mm)	H (mm)	L (mm)	L1 (mm)	L2 (mm)	L5 (mm)	L6 (mm)	z (mm)
16	167 542 031	1	0.120	50	54	96	72	56	26	46	70
20	167 542 032	1	0.130	50	54	99	72	56	26	46	66
25	167 542 033	1	0.180	58	66	111	93	65	34	59	75
32	167 542 034	1	0.282	68	71	127	93	71	34	59	85
40	167 542 035	1	0.460	84	85	147	110	85	41	69	101
50	167 542 036	1	0.635	97	92	157	110	89	41	69	111
63	167 542 037	1	1.190	124	108	184	128	101	49	79	129

The technical data are not binding. They neither constitute expressly warranted characteristics nor guaranteed properties nor a guaranteed durability. They are subject to modification. Our General Terms of Sale apply.

Georg Fischer Piping Systems Ltd, Postfach, CH-8201 Schaffhausen/Switzerland

Phone +41 -(0)52-631 1111

e-mail: info.ps@georgfischer.com

Internet: <http://www.gfps.com>