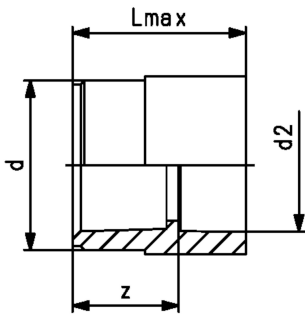
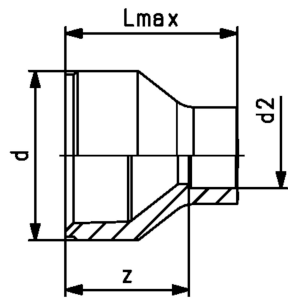


ecoFIT Reducer PE80 d25-110mm



- With socket fusion spigot and fusion socket metric



	d (mm)	d2 (mm)	DN (mm)	PN (bar)	Code	Weight (kg)	Lmax (mm)	z (mm)
	25	20	20	10	733 910 337	0.013	39	23
	32	25	25	10	733 910 341	0.021	43	27
*	40	20	32	10	733 910 348	0.023	48	34
*	40	25	32	10	733 910 347	0.027	48	32
	40	32	32	10	733 910 346	0.032	48	30
*	50	32	40	10	733 910 353	0.042	54	36
	50	40	40	10	733 910 352	0.049	54	34
*	63	20	50	10	733 910 362	0.057	64	50
*	63	25	50	10	733 910 361	0.060	64	48
*	63	32	50	10	733 910 360	0.065	64	46
*	63	40	50	10	733 910 359	0.070	64	44
	63	50	50	10	733 910 358	0.086	64	41
	75	63	65	10	733 910 364	0.103	62	35
*	90	63	80	10	733 910 371	0.180	88	62
	90	75	80	10	733 910 370	0.144	70	39
	110	90	100	10	733 910 376	0.254	81	45

The technical data are not binding. They neither constitute expressly warranted characteristics nor guaranteed properties nor a guaranteed durability. They are subject to modification. Our General Terms of Sale apply.

Georg Fischer Piping Systems Ltd, Postfach, CH-8201 Schaffhausen/Switzerland Phone +41 -(0)52-631 1111 e-mail: info.ps@georgfischer.com Internet: <http://www.gfps.com>