

PROGEF Standard
Ball valve type 180 100-230V
With manual emergency override
With butt fusion spigots IR-Plus SDR11 metric

Model:

- Voltage 100-230V, 50-60Hz
- Factory set control range 90°<
- Heating element, position feedback (Open/Close/ Middle)
- Integrated stainless steel mounting inserts
- Material: PP-H

Option:

- Other valve and actuator configurations available
- Optional accessories: Fail-safe return unit, Monitoring board, Position controller, Profibus DP board

| d (mm) | DN (mm) | PN (bar) | kv-value ($\Delta p=1$ bar) (l/min) | EA | EPDM Code | Weight (kg) |
|-----------|------------|-------------|--|-------|--------------------|----------------|
| 20 | 15 | 10 | 185 | EA25 | 199 180 323 | 2.100 |
| 25 | 20 | 10 | 350 | EA25 | 199 180 324 | 2.200 |
| 32 | 25 | 10 | 700 | EA25 | 199 180 325 | 2.300 |
| 40 | 32 | 10 | 1000 | EA25 | 199 180 326 | 2.600 |
| 50 | 40 | 10 | 1600 | EA25 | 199 180 327 | 2.952 |
| 63 | 50 | 10 | 3100 | EA25 | 199 180 328 | 3.800 |
| 75 | 65 | 10 | 5000 | EA45 | 199 180 329 | 6.200 |
| 90 | 80 | 10 | 7000 | EA120 | 199 180 330 | 8.000 |
| 110 | 100 | 10 | 11000 | EA120 | 199 180 331 | 11.200 |

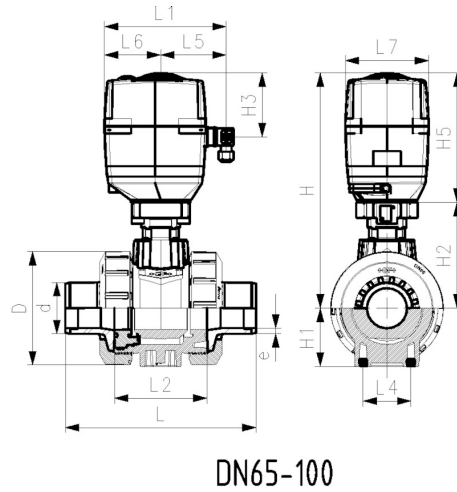
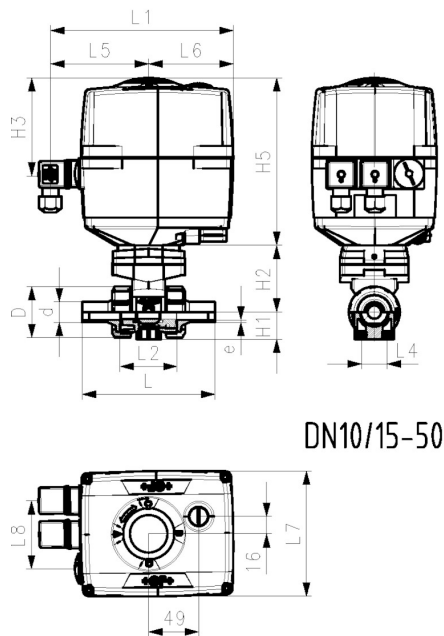
| d (mm) | D (mm) | H (mm) | H1 (mm) | H2 (mm) | H3 (mm) | H5 (mm) | L (mm) | L1 (mm) | L2 (mm) | L3 (mm) | L4 (mm) | L5 (mm) | L7 (mm) | e (mm) | closest inch (inch) |
|-----------|-----------|-----------|------------|------------|------------|------------|-----------|------------|------------|------------|------------|------------|------------|-----------|---------------------------|
| 20 | 50 | 231 | 27 | 64 | 94 | 167 | 130 | 180 | 56 | 130 | 25 | 97 | 122 | 1.9 | 1/2 |
| 25 | 58 | 240 | 30 | 73 | 94 | 167 | 143 | 180 | 65 | 150 | 25 | 97 | 122 | 2.3 | 3/4 |
| 32 | 68 | 240 | 36 | 73 | 94 | 167 | 150 | 180 | 71 | 160 | 25 | 97 | 122 | 2.9 | 1 |
| 40 | 84 | 251 | 44 | 84 | 94 | 167 | 171 | 180 | 85 | 180 | 45 | 97 | 122 | 3.7 | 1 1/4 |
| 50 | 97 | 251 | 51 | 84 | 94 | 167 | 191 | 180 | 89 | 200 | 45 | 97 | 122 | 4.6 | 1 1/2 |

Data sheet

valid from: 10/3/18



| d | D | H | H1 | H2 | H3 | H5 | L | L1 | L2 | L3 | L4 | L5 | L7 | e | closest inch |
|------|------|------|------|------|------|------|------|------|------|------|------|------|------|------|--------------|
| (mm) | (mm) | (mm) | (mm) | (mm) | (mm) | (mm) | (mm) | (mm) | (mm) | (mm) | (mm) | (mm) | (mm) | (mm) | (inch) |
| 63 | 124 | 273 | 64 | 106 | 94 | 167 | 220 | 180 | 101 | 230 | 45 | 97 | 122 | 5.8 | 2 |
| 75 | 166 | 346 | 85 | 156 | 94 | 190 | 266 | 180 | 136 | 290 | 70 | 98 | 122 | 6.8 | 2 ½ |
| 90 | 200 | 358 | 105 | 168 | 94 | 190 | 264 | 180 | 141 | 310 | 70 | 98 | 122 | 8.2 | 3 |
| 110 | 238 | 365 | 123 | 175 | 94 | 190 | 301 | 180 | 164 | 350 | 120 | 98 | 122 | 10.0 | 4 |



The technical data are not binding. They neither constitute expressly warranted characteristics nor guaranteed properties nor a guaranteed durability. They are subject to modification. Our General Terms of Sale apply.

Georg Fischer Piping Systems Ltd, Postfach, CH-8201 Schaffhausen/Switzerland

Phone +41 -(0)52-631 1111

e-mail: info.ps@georgfischer.com

Internet: <http://www.gfps.com>