

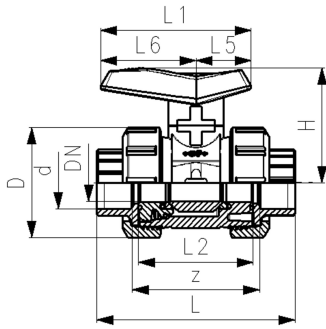
Ball valve type 542 PVC-U
With cemented socket (metric)
With PE ball seal

Model:

- For easy installation and removal
- Ball seat PE/ blue lever
- For water application

Option:

- Individual configuration of the valve possible
- Assembling of a valve tag possible



d (mm)	Size (inch)	DN (mm)	PN (bar)	kv-value ($\Delta p=1$ bar) (L/min)	EPDM Code	GP	Weight (kg)
16	3/8	10	16	71	161 541 001	12	0.148
20	1/2	15	16	185	161 541 002	12	0.150
25	3/4	20	16	350	161 541 003	6	0.233
32	1	25	16	700	161 541 004	6	0.336
40	1 1/4	32	16	1000	161 541 005	6	0.600
50	1 1/2	40	16	1600	161 541 006	6	0.830
63	2	50	16	3100	161 541 007	4	1.523

d (mm)	D (mm)	H (mm)	L (mm)	L1 (mm)	L2 (mm)	L5 (mm)	L6 (mm)	z (mm)
16	50	54	92	72	56	26	46	64
20	50	54	95	72	56	26	46	63
25	58	66	110	93	65	34	59	73
32	68	71	124	93	71	34	59	79
40	84	85	147	110	85	41	69	94
50	97	92	157	110	89	41	69	95
63	124	108	184	128	101	49	79	108

The technical data are not binding. They neither constitute expressly warranted characteristics nor guaranteed properties nor a guaranteed durability. They are subject to modification. Our General Terms of Sale apply.

Georg Fischer Piping Systems Ltd, Postfach, CH-8201 Schaffhausen/Switzerland

Phone +41 -(0)52-631 1111

e-mail: info.ps@georgfischer.com

Internet: <http://www.gfps.com>