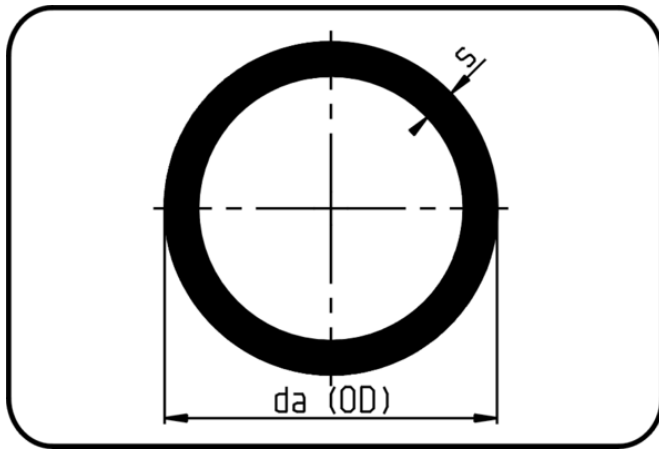


Pipes



Code: 705

- Pipe 5m
- extruded
- PE 100 black

Dimension	Code	Detail	da(OD) mm	s mm	Weight
400	25.705.0400.00	400X8,0 Ventilation	400	8	10.04
450	25.705.0450.00	450X8,0 Ventilation	450	8	11.3
500	25.705.0500.00	500X8,0 Ventilation	500	8	12.6
560	25.705.0560.00	560X10,0 Ventilation	560	10	17.6
630	25.705.0630.00	630X10,0 Ventilation	630	10	19.8
710	25.705.0710.00	710X12,0 Ventilation	710	12	26.7
800	25.705.0800.00	800X12,0 Ventilation	800	12	30.2
900	25.705.0900.00	900X15,0 Ventilation	900	15	42.3
1000	25.705.1000.00	1000X15,0 Ventilation	1.000	15	47
1200	25.705.1200.00	1200X18,0 Ventilation	1.200	18	67.7
1400	25.705.1400.00	1400X20,0 Ventilation	1.400	20	87.7
110	25.705.0110.41	110X2,7 SDR41 ISO S-20	110	2,7	0.952
125	25.705.0125.41	125X3,1 SDR41 ISO S-20	125	3,1	1.23
140	25.705.0140.41	140X3,5 SDR41 ISO S-20	140	3,5	1.56
160	25.705.0160.41	160X4,0 SDR41 ISO S-20	160	4	2.02
180	25.705.0180.41	180X4,4 SDR41 ISO S-20	180	4,4	2.48
200	25.705.0200.41	200X4,9 SDR41 ISO S-20	200	4,9	3.08
225	25.705.0225.41	225X5,5 SDR41 ISO S-20	225	5,5	3.9
250	25.705.0250.41	250X6,2 SDR41 ISO S-20	250	6,2	4.84
280	25.705.0280.41	280X6,9 SDR41 ISO S-20	280	6,9	6.04
315	25.705.0315.41	315X7,7 SDR41 ISO S-20	315	7,7	7.59
355	25.705.0355.41	355X8,7 SDR41 ISO S-20	355	8,7	9.65
400	25.705.0400.41	400X9,8 SDR41 ISO S-20	400	9,8	12.2