

Ball valve type 542 PP-H With fusion socket

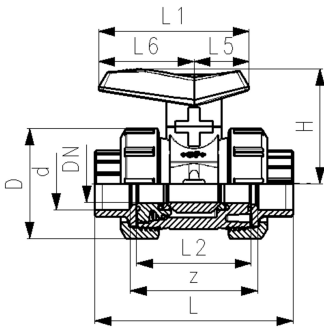


Model:

- For easy installation and removal
- Ball seat PTFE/ red lever

Option:

- Individual configuration of the valve possible
- Assembling of a valve tag possible



d (mm)	DN (mm)	Size (inch)	PN (bar)	kv-value ($\Delta p=1$ bar) (L/min)	EPDM Code	SP	Weight (kg)	FKM Code	SP	Weight (kg)
16	10	3/8	10	71	167 542 001	1	0.115	167 542 011	1	0.115
20	15	1/2	10	185	167 542 002	1	0.114	167 542 012	1	0.114
25	20	3/4	10	350	167 542 003	1	0.177	167 542 013	1	0.177
32	25	1	10	700	167 542 004	1	0.244	167 542 014	1	0.244
40	32	1 1/4	10	1000	167 542 005	1	0.435	167 542 015	1	0.435
50	40	1 1/2	10	1600	167 542 006	1	0.597	167 542 016	1	0.597
63	50	2	10	3100	167 542 007	1	1.104	167 542 017	1	1.104

d (mm)	D (mm)	H (mm)	L (mm)	L1 (mm)	L2 (mm)	L5 (mm)	L6 (mm)	z (mm)
16	50	54	93	72	56	26	46	67
20	50	54	95	72	56	26	46	67
25	58	66	109	93	65	34	59	77
32	68	71	119	93	71	34	59	83
40	84	85	137	110	85	41	69	97
50	97	92	147	110	89	41	69	101
63	124	108	169	128	101	49	79	115

The technical data are not binding. They neither constitute expressly warranted characteristics nor guaranteed properties nor a guaranteed durability. They are subject to modification. Our General Terms of Sale apply.

Georg Fischer Piping Systems Ltd, Postfach, CH-8201 Schaffhausen/Switzerland

Phone +41 -(0)52-631 1111

e-mail: info.ps@georgfischer.com

Internet: <http://www.gfps.com>