



Diaphragm valve type 317 PVC-U
With flanges PVC-U metric

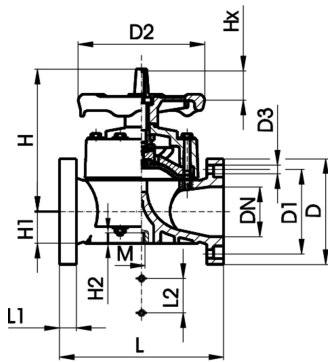
Model:

- Flat sealing faces
- Overall length according to EN 558
- Connecting dimension: ISO 7005 PN 10, EN 1092 PN 10, DIN 2501 PN 10, BS 4504 PN 10

Option:

- Handwheel lockable DN65 (basic version not lockable)

*** DN80, DN100 and DN150 fixed flanges metric and inch ANSI B16.5**



DN 80-100

	d (mm)	DN (mm)	Size (inch)	PN (bar)	kv-value ($\Delta p=1$ bar) (l/min)
	75	65	2 ½	10	992
*	90	80	3	10	1700
*	110	100	4	6	2700
*	160	150	6	6	6033

d (mm)	NBR Code	EPDM Code	PTFE with EPDM supp. diaphragm Code	FKM Code	SP	Weight (kg)
75	161 317 508	161 317 523	161 317 538	161 317 568	1	5.090
*	90	161 317 009	161 317 024	161 317 039	1	9.700
*	110	161 317 010	161 317 025	161 317 040	1	13.600
*	160	161 317 012	161 317 027	161 317 042	1	27.000

d (mm)	D (mm)	D1 (mm)	D2 (mm)	D3 (mm)	H (mm)	H1 (mm)	H2 (mm)	L (mm)	L1 (mm)	L2 (mm)	L3 (mm)	M	Lift = Hx (mm)	AL	
75	185	145	152	18	201	46	15	290		70		M8	30	4	
*	90	200	160	270	18	265	57	23	310	35	120		M12	40	8
*	110	225	180	270	18	304	69	23	350	35	120		M12	50	8
*	160	285	240	400	23	437	108	23	480	26	100	200	M12	70	8

The technical data are not binding. They neither constitute expressly warranted characteristics nor guaranteed properties nor a guaranteed durability. They are subject to modification. Our General Terms of Sale apply.

Georg Fischer Piping Systems Ltd, Postfach, CH-8201 Schaffhausen/Switzerland
 Phone +41 -(0)52-631 1111
 e-mail: info.ps@georgfischer.com
 Internet: http://www.gfps.com