



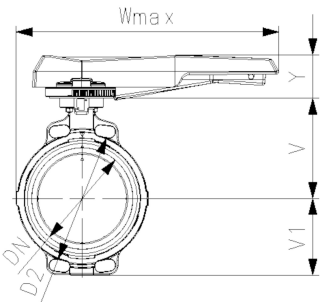
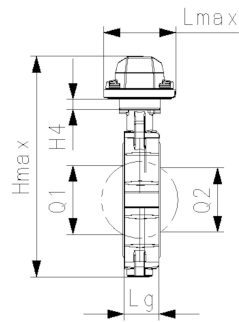
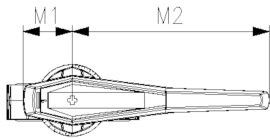
**SYGEF Standard Wafer-style intermediate installation butterfly valve type 567**  
**With hand lever**  
**Flange standard metric/ANSI/BS/JIS**

**Model:**

- Material: PVDF
- Overall length according to EN 558, ISO 5752
- Connecting dimension: ISO 7005 PN 10, EN 1092 PN 10, DIN 2501 PN 10, ANSI/ASME B 16.5 Class 150, BS 1560: 1989, BS 4504, JIS B 2220
- We recommend for the dimensions DN250 and DN300 only 6 bar maximum system pressure for the hand lever version

**Note:**

For some material combination (e.g. DN300 valves with PE/PP pipes) special flange adapters are needed. Please check the "Perfect flange connection tool" on [www.gfps.com](http://www.gfps.com)



d (mm)	Size (inch)	DN (mm)	PN (bar)	kv-value ( $\Delta p=1$ bar) (l/min)	FKM Code	PTFE Code	Weight (kg)
63	2	50	10	740	175 567 002	175 567 202	1.080
75	2 ½	65	10	1500	175 567 003	175 567 203	1.192
90	3	80	10	2400	175 567 004	175 567 204	1.992
110	4	100	10	3800	175 567 005	175 567 205	2.072
140	5	125	10	8600	175 567 006	175 567 206	2.667
160	6	150	10	11400	175 567 007	175 567 207	3.887
225	8	200	10	19900	175 567 008	175 567 208	7.242
280	10	250	6	34000	175 567 009	175 567 209	14.623
315	12	300	6	50000	175 567 010	175 567 210	19.513

d (mm)	Hmax (mm)	Lmax (mm)	Wmax (mm)	U (mm)	V (mm)	H4 (mm)	V1 (mm)	Lg (mm)	D2 (mm)	Q1 (mm)	Q2 (mm)	k (mm)	Y (mm)	M1 (mm)
63	278.9	115.2	269.0	90	133.3	23	78.8	45	104	40		125	66.8	64.7
75	291.8	115.2	271.8	90	139.9	23	85.1	46	115	54	35	145	66.8	64.7
90	303.6	115.2	273.9	90	145.6	23	91.2	49	131	67	50	160	66.8	64.7
110	342.2	115.2	336.0	90	166.4	32	105.7	56	161	88	74	180	70.1	64.9
140	368.9	115.2	349.0	90	180.0	23	118.8	64	187	113	97	210	70.1	64.9
160	390.0	115.2	363.0	90	189.0	23	130.9	72	215	139	123	240	70.1	64.9
225	455.1	149.4	543.0	90	210.5	23	158.3	73	267	178	169	295	86.3	103.6
280	555.0	149.4	574.0	125	262.6	23	206.1	113	329	210	207	350	86.3	103.6
315	599.4	149.4	599.7	125	284.3	23	228.8	113	379	256	253	400	86.3	103.6

d (mm)	M2 (mm)
63	205.5
75	205.5
90	205.5
110	255.5
140	255.5
160	255.5
225	409.5
280	409.5
315	409.5

The technical data are not binding. They neither constitute expressly warranted characteristics nor guaranteed properties nor a guaranteed durability. They are subject to modification. Our General Terms of Sale apply.

# Data sheet

valid from: 12/22/23



---

Georg Fischer Piping Systems Ltd, Postfach, CH-8201 Schaffhausen/Switzerland Phone +41 -(0)52-631 1111 e-mail:  
info.ps@georgfischer.com Internet: <http://www.gfps.com>