

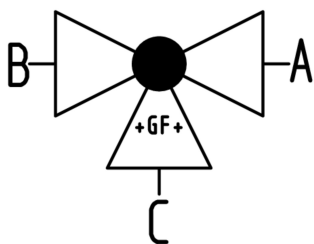
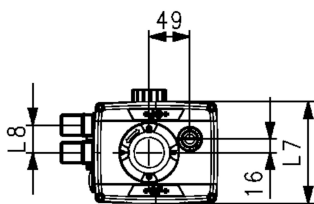
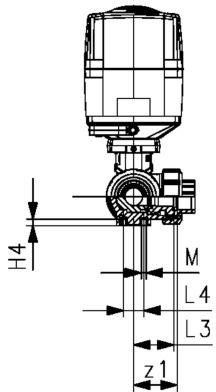
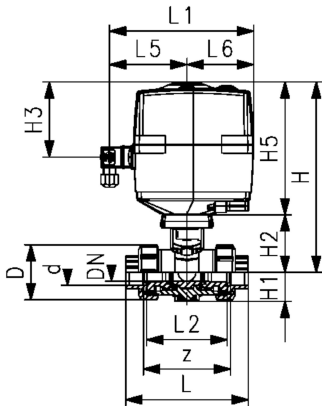
3-Way ball valve type 543 Pro PVC-U
Horizontal/L-port 100-230V
With manual emergency override
With solvent cement sockets metric
With electric actuator EA25

Model:

- Voltage 100-230V, 50-60Hz
- Factory set control range 90°<
- Basic position A-C opened, activated position B-C opened, see flow scheme
- Other positions possible by adjusting the limit switches
- Heating element, position feedback (Open/Close/ Middle)
- Integrated stainless steel mounting inserts

Option:

- Optional accessories: Fail-safe return unit, Monitoring board, Position controller, Profibus DP board



d (mm)	DN (mm)	Size (inch)	PN (bar)	kv-value (Δp=1 bar) (l/min)	EA	EPDM Code	Weight (kg)	FKM Code	Weight (kg)
16	10	3/8	10	50	EA25	199 167 022		199 167 032	2.122
20	15	1/2	10	75	EA25	199 167 023		199 167 033	
25	20	3/4	10	150	EA25	199 167 024		199 167 034	
32	25	1	10	280	EA25	199 167 025	2.842	199 167 035	2.446
40	32	1 1/4	10	480	EA25	199 167 026	3.234	199 167 036	2.870
50	40	1 1/2	10	620	EA25	199 167 027		199 167 037	3.322
63	50	2	10	1230	EA25	199 167 028	5.043	199 167 038	4.683

d (mm)	D (mm)	H (mm)	H1 (mm)	H2 (mm)	H3 (mm)	H5 (mm)	H6 (mm)	L (mm)	L1 (mm)	L2 (mm)	L3 (mm)	L4 (mm)	L5 (mm)	L6 (mm)	L7 (mm)
16	50	231	28	64	94	167	8	109	180	73	36	25	97	83	122
20	50	231	28	64	94	167	8	112	180	73	36	25	97	83	122
25	58	240	32	73	94	167	8	131	180	86	43	25	97	83	122
32	68	240	36	73	94	167	8	151	180	99	50	25	97	83	122
40	84	251	45	84	94	167	9	181	180	120	60	45	97	83	122
50	97	251	51	84	94	167	9	205	180	137	69	45	97	83	122
63	124	273	65	106	94	167	9	261	180	179	89	45	97	83	122

d (mm)	L8 (mm)	M	z (mm)	z1 (mm)	closest inch (inch)
16	33	6	81	40	3/8
20	33	6	81	40	1/2
25	33	6	94	47	3/4
32	33	6	107	54	1
40	33	8	130	65	1 1/4
50	33	8	143	72	1 1/2
63	33	8	185	92	2

Data sheet

valid from: 1/6/24



The technical data are not binding. They neither constitute expressly warranted characteristics nor guaranteed properties nor a guaranteed durability. They are subject to modification. Our General Terms of Sale apply.

Georg Fischer Piping Systems Ltd, Postfach, CH-8201 Schaffhausen/Switzerland Phone +41 -(0)52-631 1111 e-mail: info.ps@georgfischer.com Internet: <http://www.gfps.com>