

**Diaphragm valve DIASTAR Ten ABS
FC (Fail safe to close)
Unions with solvent cement sockets metric**

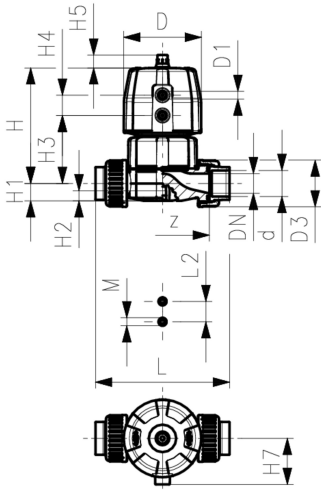
Model:

- Double flow rate compared to predecessor
- One housing nut replaces four screws
- Rotating air connection at 90° intervals
- For easy installation and removal
- Short overall length

Option:

- Individual configuration of the valve
- Comprehensive range of accessories available

Working Pressure: **one side**



d (mm)	DN (mm)	Size (inch)	PN (bar)	PN* (bar)	kv-value (Δp=1 bar) (l/min)	EPDM Code	SP	Weight (kg)
20	15	½	10	10*	125	169 624 012	1	0.549
25	20	¾	10	10*	271	169 624 013	1	1.061
32	25	1	10	10*	481	169 624 014	1	1.247
40	32	1 ¼	10	10*	759	169 624 015	1	2.127
50	40	1 ½	10	10*	1263	169 624 016	1	3.633
63	50	2	10	10*	1728	169 624 017	1	4.381

d (mm)	D (mm)	D1_G (inch)	H (mm)	H1 (mm)	H2 (mm)	H3 (mm)	H4 (mm)	H5 (mm)	H7 (mm)	L (mm)	L2 (mm)	M	z (mm)	Lift = Hx (mm)
20	68	⅝	101	14	12	60	24	16	43	128	25	M6	96	7
25	96	⅞	132	18	12	73	25	16	57	152	25	M6	114	10
32	96	⅞	143	22	12	84	25	16	57	166	25	M6	122	13
40	120	⅞	173	26	15	99	26	26	69	192	45	M8	140	15
50	150	⅞	214	32	15	119	36	26	88	222	45	M8	160	19
63	150	⅞	226	39	15	132	36	26	88	266	45	M8	190	23

d (mm)	closest inch (inch)
20	¾
25	⅞
32	1
40	1 ¼
50	1 ½
63	2

The technical data are not binding. They neither constitute expressly warranted characteristics nor guaranteed properties nor a guaranteed durability. They are subject to modification. Our General Terms of Sale apply.

Georg Fischer Piping Systems Ltd, Postfach, CH-8201 Schaffhausen/Switzerland

Phone +41 -(0)52-631 1111

e-mail: info.ps@georgfischer.com

Internet: <http://www.gfps.com>