



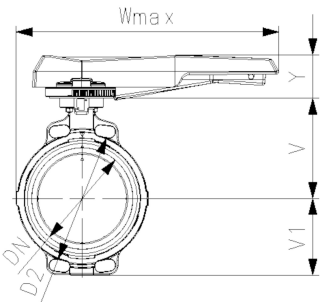
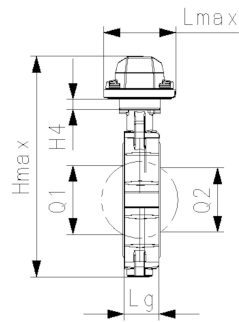
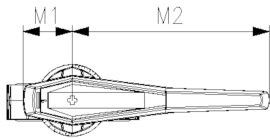
Wafer-style intermediate installation butterfly valve type 567 PVC-U
With hand lever
Flange standard metric/ANSI/BS/JIS

Model:

- Up to DN 300: Overall length according to EN558 (DN 50-200: line 25, DN250, 300 line 16), ISO 5752
- Connecting dimension: ISO 7005 PN 10, EN 1092 PN 10, DIN 2501 PN 10, ANSI/ASME B 16.5 Class 150, BS 1560: 1989, BS 4504, JIS B 2220
- We recommend for the dimensions DN250 and DN300 only 6 bar maximum system pressure for the hand lever version

Note:

For some material combination (e.g. DN300 valves with PE/PP pipes) special flange adapters are needed. Please check the "Perfect flange connection tool" on www.gfps.com



d (mm)	Size (inch)	DN (mm)	PN (bar)	kv-value ($\Delta p=1$ bar) (l/min)	EPDM Code	FKM Code	Weight (kg)
63	2	50	10	740	161 567 002	161 567 022	1.259
75	2 ½	65	10	1500	161 567 003	161 567 023	1.799
90	3	80	10	2400	161 567 004	161 567 024	1.534
110	4	100	10	3800	161 567 005	161 567 025	2.235
140	5	125	10	8600	161 567 006	161 567 026	2.799
160	6	150	10	11400	161 567 007	161 567 027	3.791
225	8	200	10	19900	161 567 008	161 567 028	6.570
280	10	250	6	34000	161 567 009	161 567 029	12.998
315	12	300	6	50000	161 567 010	161 567 030	19.139

d (mm)	Hmax (mm)	Lmax (mm)	Wmax (mm)	U (mm)	V (mm)	H4 (mm)	V1 (mm)	Lg (mm)	D2 (mm)	Q1 (mm)	Q2 (mm)	k (mm)	Y (mm)	M1 (mm)
63	278.9	115.2	269.0	90	133.3	23	78.8	45	104	40		125	66.8	64.7
75	291.8	115.2	271.8	90	139.9	23	85.1	46	115	54	35	145	66.8	64.7
90	303.6	115.2	273.9	90	145.6	23	91.2	49	131	67	50	160	66.8	64.7
110	342.2	115.2	336.0	90	166.4	23	105.7	56	161	88	74	180	70.1	64.9
140	368.9	115.2	349.0	90	180.0	23	118.8	64	187	113	97	210	70.1	64.9
160	390.0	115.2	363.0	90	189.0	23	130.9	72	215	139	123	240	70.1	64.9
225	455.1	149.4	543.0	90	210.5	23	158.3	73	267	178	169	295	86.3	103.6
280	555.0	149.4	574.0	125	262.6	23	206.1	113	329	210	207	350	86.3	103.6
315	599.4	149.4	599.7	125	284.3	23	228.8	113	379	256	253	400	86.3	103.6

d (mm)	M2 (mm)
63	205.5
75	205.5
90	205.5
110	255.5
140	255.5
160	255.5
225	409.5
280	409.5
315	409.5

The technical data are not binding. They neither constitute expressly warranted characteristics nor guaranteed properties nor a guaranteed durability. They are subject to modification. Our General Terms of Sale apply.

Data sheet

valid from: 12/22/23



Georg Fischer Piping Systems Ltd, Postfach, CH-8201 Schaffhausen/Switzerland Phone +41 -(0)52-631 1111 e-mail:
info.ps@georgfischer.com Internet: <http://www.gfps.com>