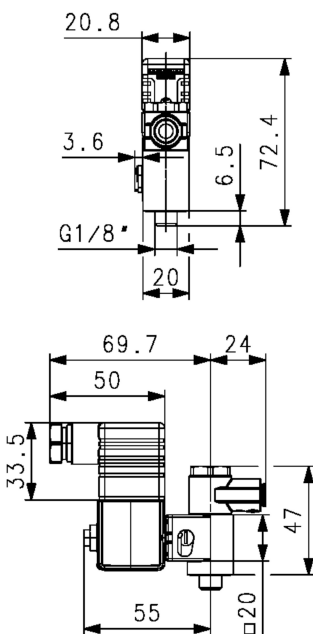




Solenoid pilot valve type PV94 3/2-way for single acting actuators

- For direct installation on single acting pneumatic actuators (FC/FO)
- Hollow screw
- Circuit function C: FC, closed in rest position
- Port A: G1/8 actuator connection
- Port P: compressed air
- Valve material: polyamid/brass
- IP 65 with socket connector
- Incl. reducer G 1/4 - G 1/8



DN (mm)	PN (bar)	kv-value ($\Delta p=1$ bar) (L/min)	Port P	Voltage	Cable plug form	FKM Code	SP	Weight (kg)
1.2	10	48	G 1/8	24 V DC	C	199 190 498	1	0.172
1.2	10	48	G 1/8	24 V, 50-60 Hz	C	199 190 499	1	0.175
1.2	10	48	G 1/8	110 V, 50-60 Hz	C	199 190 500	1	0.117
1.2	10	48	G 1/8	230 V, 50-60 Hz	C	199 190 501	1	0.117
1.2	10	48	push-in 6mm	24 V DC	C	199 190 510	1	0.177
1.2	10	48	push-in 6mm	24 V, 50-60 Hz	C	199 190 511	1	0.180
1.2	10	48	push-in 6mm	110 V, 50-60 Hz	C	199 190 512	1	0.184
1.2	10	48	push-in 6mm	230 V, 50-60 Hz	C	199 190 513	1	0.178
1.2	10	48	NPT 1/8	24 V DC	C	199 190 546	1	0.118
1.2	10	48	NPT 1/8	110 V, 50-60 Hz	C	199 190 547	1	0.173
1.2	10	48	NPT 1/8	24 V AC	C	199 190 561	1	0.177
1.2	10	48	push-in 6mm	230 V, 50-60 Hz	B	199 190 571	1	0.133
1.2	10	48	G 1/8	230 V, 50-60 Hz	B	199 190 572	1	0.126
1.2	10	48	push-in 6mm	24 V DC	B	199 190 573	1	0.130
1.2	10	48	G 1/8	24 V DC	B	199 190 574	1	0.187

The technical data are not binding. They neither constitute expressly warranted characteristics nor guaranteed properties nor a guaranteed durability. They are subject to modification. Our General Terms of Sale apply.

Georg Fischer Piping Systems Ltd, Postfach, CH-8201 Schaffhausen/Switzerland

Phone +41 -(0)52-631 1111

e-mail: info.ps@georgfischer.com

Internet: <http://www.gfps.com>