

**Diaphragm valve DIASTAR Ten PVC-U  
DA (Double acting)  
With solvent cement spigots metric**

**Model:**

- Double flow rate compared to predecessor
- One housing nut replaces four screws
- Rotating air connection at 90° intervals
- Overall length EN 558

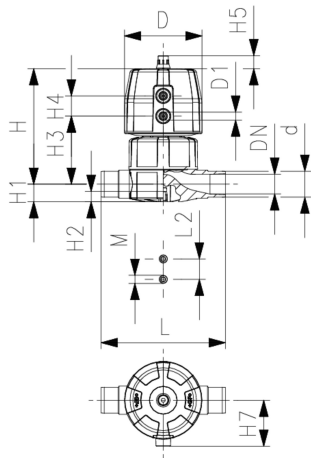
**Option:**

- Individual configuration of the valve
- Comprehensive range of accessories available
- PN16 available as a configuration

\* PN: PTFE

Working Pressure: **one side**

\* O-Ring material: FKM



d (mm)	DN (mm)	Size (inch)	PN (bar)	PN* (bar)	kv-value ( $\Delta p=1$ bar) (l/min)	EPDM Code	SP	Weight (kg)
20	15	½	10	10*	125	161 655 012	1	0.463
25	20	¾	10	10*	271	161 655 013	1	0.829
32	25	1	10	10*	481	161 655 014	1	1.008
40	32	1 ¼	10	10*	759	161 655 015	1	1.606
50	40	1 ½	10	10*	1263	161 655 016	1	2.710
63	50	2	10	10*	1728	161 655 017	1	3.421

d (mm)	PTFE/ EPDM* Code	SP	Weight (kg)
20	161 655 032	1	0.473
25	161 655 033	1	0.840
32	161 655 034	1	1.028
40	161 655 035	1	1.626
50	161 655 036	1	2.740
63	161 655 037	1	3.731

d (mm)	D (mm)	D1_G (inch)	H (mm)	H1 (mm)	H2 (mm)	H3 (mm)	H4 (mm)	H5 (mm)	H7 (mm)	L (mm)	L2 (mm)	M	Lift = Hx (mm)	closest inch (inch)
20	68	¾	101	14	12	60	24	16	43	124	25	M6	7	½
25	96	¾	132	18	12	73	25	16	57	144	25	M6	10	¾
32	96	¾	143	22	12	84	25	16	57	154	25	M6	13	1
40	120	¾	173	26	15	99	26	26	69	174	45	M8	15	1 ¼
50	150	¾	214	32	15	119	36	26	88	194	45	M8	19	1 ½
63	150	¾	226	39	15	132	36	26	88	224	45	M8	23	2

The technical data are not binding. They neither constitute expressly warranted characteristics nor guaranteed properties nor a guaranteed durability. They are subject to modification. Our General Terms of Sale apply.

Georg Fischer Piping Systems Ltd, Postfach, CH-8201 Schaffhausen/Switzerland Phone +41 -(0)52-631 1111 e-mail:

info.ps@georgfischer.com Internet: <http://www.gfps.com>