

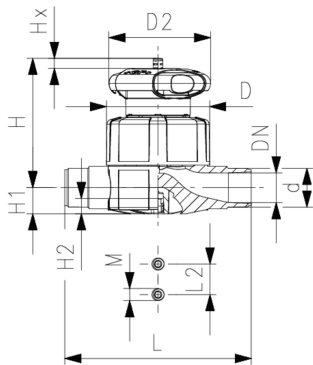
SYGEF Standard Diaphragm valve type 515
With socket fusion spigots metric

Model:

- Material: PVDF
- Double flow rate compared to predecessor
- One housing nut replaces four screws
- Handwheel with built-in locking mechanism
- Overall length EN 558

Option:

- Individual configuration of the valve
- Self adjusting multifunctional module with integrated limit switches



d (mm)	DN (mm)	Size (inch)	PTFE/ EPDM* Code	Weight (kg)
20	15	½	185 515 032	0.273
25	20	¾	185 515 033	0.426
32	25	1	185 515 034	0.684
40	32	1 ¼	185 515 035	1.415
50	40	1 ½	185 515 036	1.652
63	50	2	185 515 037	2.569

d (mm)	D (mm)	D2 (mm)	H (mm)	H1 (mm)	H2 (mm)	L (mm)	L2 (mm)	M	Lift = Hx (mm)	closest inch (inch)
20	65	65	73	14	12	124	25	M6	7	½
25	80	65	81	18	12	144	25	M6	10	¾
32	88	87	107	22	12	154	25	M6	13	1
40	101	87	115	26	15	174	45	M8	15	1 ¼
50	117	135	148	32	15	194	45	M8	19	1 ½
63	144	135	166	39	15	223	45	M8	25	2

The technical data are not binding. They neither constitute expressly warranted characteristics nor guaranteed properties nor a guaranteed durability. They are subject to modification. Our General Terms of Sale apply.

Georg Fischer Piping Systems Ltd, Postfach, CH-8201 Schaffhausen/Switzerland

Phone +41 -(0)52-631 1111

e-mail: info.ps@georgfischer.com

Internet: <http://www.gfps.com>