

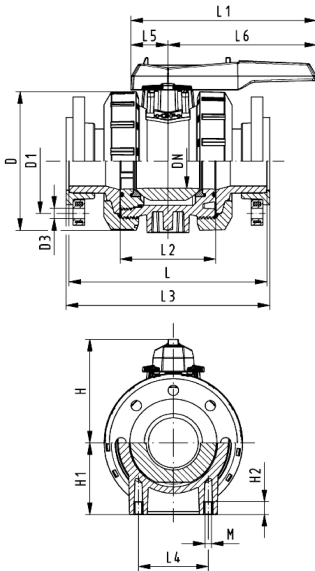
Ball valve type 546 PVC-U
With mounting inserts
With backing flanges PP-st metric

Model:

- For easy installation and removal
- Ball seat PTFE
- Integrated stainless steel mounting inserts
- z-dimension, valve end and union nut are **not compatible** with type 370
- Overall length according to EN 558
- Connecting dimension: ISO 7005, EN 1092, BS 4504, DIN 2501
- Hole circle PN10

Option:

- Individual configuration of the valve
- Multifunctional module with integrated limit switches
- Pneumatic or electric actuators from GF



d (mm)	DN (mm)	PN (bar)	kv-value ($\Delta p=1$ bar) (l/min)	EPDM Code	SP Weight (kg)	FKM Code	SP Weight (kg)
75	65	16	5000	161 546 948	1	9.100	161 546 958
90	80	16	7000	161 546 949	1	12.400	161 546 959
110	100	16	11000	161 546 950	1	13.825	161 546 960

d (mm)	D (mm)	H (mm)	H1 (mm)	L (mm)	L1 (mm)	L2 (mm)	L3 (mm)	L4 (mm)	L5 (mm)	L6 (mm)	closest inch (inch)
75	166	149	85	284	270	136	290	70	64	206	1 ¼
90	200	161	105	300	270	141	310	70	64	206	1 ½
110	238	178	123	340	320	164	350	120	64	256	2

The technical data are not binding. They neither constitute expressly warranted characteristics nor guaranteed properties nor a guaranteed durability. They are subject to modification. Our General Terms of Sale apply.

Georg Fischer Piping Systems Ltd, Postfach, CH-8201 Schaffhausen/Switzerland
 Phone +41 -(0)52-631 1111
 e-mail: info.ps@georgfischer.com
 Internet: <http://www.gfps.com>