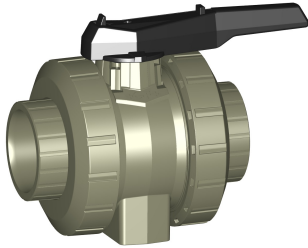


DN10/15 - 50



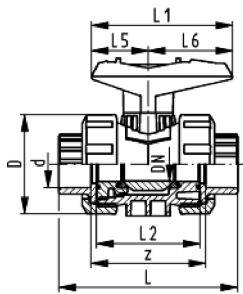
**PROGEF Plus oil free**  
**Ball valve type 546**  
**With mounting inserts**  
**With fusion sockets metric**

**Model:**

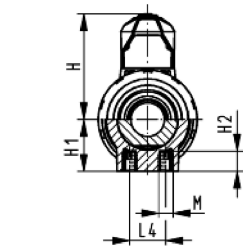
- Material: PP-H/oil free cleaned
- For easy installation and removal
- Ball seals PTFE
- Integrated stainless steel mounting inserts
- Valve end and union nut are **not compatible** with type 346 (DN10/15-50) and type 370 (DN65-100)

**Option:**

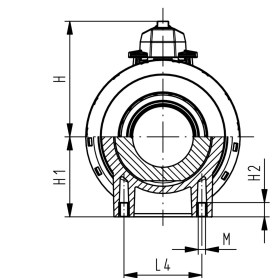
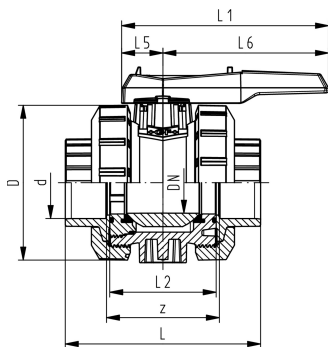
- Individual configuration of the valve
- Multifunctional module with integrated limit switches



d (mm)	DN (mm)	PN (bar)	kv-value ( $\Delta p=1$ bar) (L/min)	EPDM Code	SP	Weight (kg)	FKM Code	SP	Weight (kg)
20	15	10	185	167 546 902	1	0.119	167 546 912	1	0.115
25	20	10	350	167 546 903	1	0.183	167 546 913	1	0.184
32	25	10	700	167 546 904	1	0.258	167 546 914	1	0.260
40	32	10	1000	167 546 905	1	0.440	167 546 915	1	0.440
50	40	10	1600	167 546 906	1	0.610	167 546 916	1	0.620
63	50	10	3100	167 546 907	1	1.113	167 546 917	1	1.145
75	65	10	5000	167 546 908	1	3.700	167 546 918	1	3.700
90	80	10	7000	167 546 909	1	5.500	167 546 919	1	5.500
110	100	10	11000	167 546 910	1	8.700	167 546 920	1	8.700



d (mm)	D (mm)	H (mm)	H1 (mm)	H2 (mm)	L (mm)	L1 (mm)	L2 (mm)	L4 (mm)	L5 (mm)	L6 (mm)	M	z (mm)	closest inch (inch)
20	50	57	27	12	95	77	56	25	32	45	M6	66	1/2
25	58	67	30	12	109	97	65	25	39	58	M6	77	3/4
32	68	73	36	12	119	97	71	25	39	58	M6	83	1
40	84	90	44	15	135	128	85	45	54	74	M8	99	1 1/4
50	97	97	51	15	147	128	89	45	54	74	M8	105	1 1/2
63	124	116	64	15	168	152	101	45	66	87	M8	117	2
75	166	149	85	15	233	270	136	70	64	206	M8	167	2 1/2
90	200	161	105	15	254	270	141	70	64	206	M8	180	3
110	238	178	123	22	301	320	164	120	64	256	M12	215	4



# Data sheet

valid from: 10/20/20

---



The technical data are not binding. They neither constitute expressly warranted characteristics nor guaranteed properties nor a guaranteed durability. They are subject to modification. Our General Terms of Sale apply.

Georg Fischer Piping Systems Ltd, Postfach, CH-8201 Schaffhausen/Switzerland

Phone +41 -(0)52-631 1111

e-mail: [info.ps@georgfischer.com](mailto:info.ps@georgfischer.com)

Internet: <http://www.gfps.com>