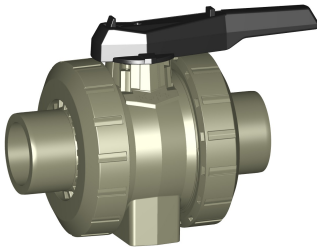


DN10/15 - 50



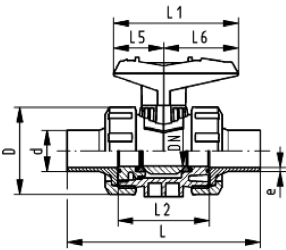
PROGEF Standard
Ball valve type 546
With mounting inserts
With butt fusion IR-Plus SDR11 metric

Model:

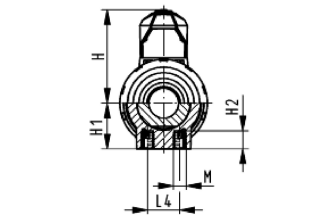
- Material: PP-H
- For easy installation and removal
- Ball seat PTFE
- Integrated stainless steel mounting inserts
- Valve end and union nut are **not compatible** with type 346 (DN10/15-50) and type 370 (DN65-100)

Option:

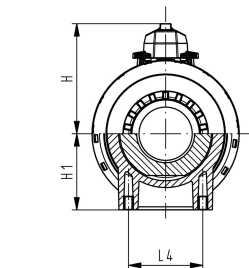
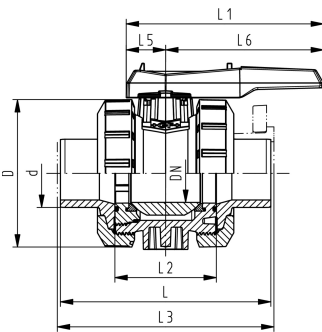
- Individual configuration of the valve
- Multifunctional module with integrated limit switches
- Pneumatic or electric actuators from GF



d (mm)	DN (mm)	PN (bar)	kv-value ($\Delta p=1$ bar) (l/min)	EPDM Code	SP	Weight (kg)	FKM Code	SP	Weight (kg)
20	15	10	185	167 546 442	1	0.121	167 546 452	1	0.123
25	20	10	350	167 546 443	1	0.183	167 546 453	1	0.185
32	25	10	700	167 546 444	1	0.260	167 546 454	1	0.263
40	32	10	1000	167 546 445	1	0.454	167 546 455	1	0.456
50	40	10	1600	167 546 446	1	0.633	167 546 456	1	0.642
63	50	10	3100	167 546 447	1	1.151	167 546 457	1	1.180
75	65	10	5000	167 546 448	1	2.822	167 546 458	1	2.602
90	80	10	7000	167 546 449	1	4.717	167 546 459	1	5.500
110	100	10	11000	167 546 450	1	6.171	167 546 460	1	8.700



d (mm)	D (mm)	H (mm)	H1 (mm)	H2 (mm)	L (mm)	L1 (mm)	L2 (mm)	L4 (mm)	L5 (mm)	L6 (mm)	M	e (mm)	closest inch (inch)
20	50	57	27	12	130	77	56	25	32	45	M6	1.9	1/2
25	58	67	30	12	143	97	65	25	39	58	M6	2.3	3/4
32	68	73	36	12	150	97	71	25	39	58	M6	2.9	1
40	84	90	44	15	171	128	85	45	54	74	M8	3.7	1 1/4
50	97	97	51	15	191	128	89	45	54	74	M8	4.6	1 1/2
63	124	116	64	15	220	152	101	45	66	87	M8	5.8	2
75	166	149	85	15	266	270	136	70	64	206	M8	6.8	2 1/2
90	200	161	105	15	264	270	141	70	64	206	M8	8.2	3
110	238	178	123	22	301	320	164	120	64	256	M12	10.0	4



Data sheet

valid from: 11/20/22



The technical data are not binding. They neither constitute expressly warranted characteristics nor guaranteed properties nor a guaranteed durability. They are subject to modification. Our General Terms of Sale apply.

Georg Fischer Piping Systems Ltd, Postfach, CH-8201 Schaffhausen/Switzerland

Phone +41 -(0)52-631 1111

e-mail: info.ps@georgfischer.com

Internet: <http://www.gfps.com>