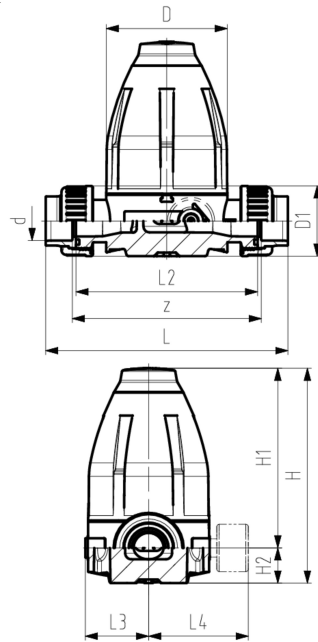


Pressure retaining valve type 586 PVC-U
Unions with solvent cement sockets metric
Without manometer

Model:

- Diaphragm PTFE/EPDM
- Integrated stainless steel mounting inserts
- 0.5-9.0 bar (7-130 psi)

0.3-3.0 bar (4-44 psi) on request
 Manometer on request



d (mm)	DN (mm)	Size (inch)	PN (bar)	O-rings EPDM Code	Weight (kg)	SP	GP	O-rings FKM Code
16	10	3/8	10	161 586 101	0.694	1	1	161 586 111
20	15	1/2	10	161 586 102	0.690	1	6	161 586 112
25	20	3/4	10	161 586 103	1.510	1		161 586 113
32	25	1	10	161 586 104	1.540	1		161 586 114
40	32	1 1/4	10	161 586 105	4.200	1		161 586 115
50	40	1 1/2	10	161 586 106	4.260	1		161 586 116
63	50	2	10	161 586 107	4.500	1		161 586 117

d (mm)	D (mm)	D1 (mm)	H (mm)	H1 (mm)	H2 (mm)	H3 (mm)	L (mm)	L2 (mm)	L3 (mm)	M	z (mm)	closest inch (inch)
16	79	43	132	111	21	12	200	120	42	M6	172	3/8
20	79	43	132	111	21	12	158	120	42	M6	126	1/2
25	100	51	177	148	29	14	194	150	53	M6	156	3/4
32	100	58	177	148	29	14	200	150	53	M6	156	1
40	147	72	251	207	44	21	263	205	76	M8	211	1 1/4
50	147	83	251	207	44	21	273	205	76	M8	211	1 1/2
63	147	101	251	207	44	21	287	205	76	M8	211	2

The technical data are not binding. They neither constitute expressly warranted characteristics nor guaranteed properties nor a guaranteed durability. They are subject to modification. Our General Terms of Sale apply.

Georg Fischer Piping Systems Ltd, Postfach, CH-8201 Schaffhausen/Switzerland Phone +41 -(0)52-631 1111 e-mail:
 info.ps@georgfischer.com Internet: <http://www.gfps.com>