

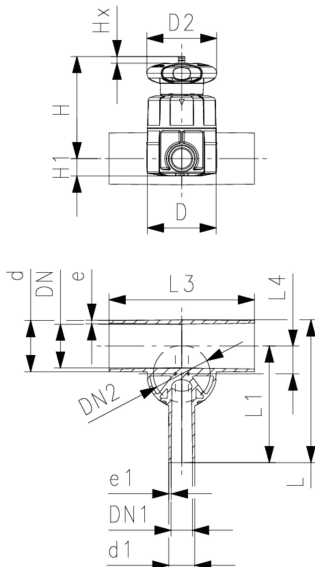
SYGEF Plus Diaphragm valve type 519 With butt fusion spigots metric SDR21

Model:

- Material: PVDF-HP
- Double flow rate compared to predecessor
- One housing nut replaces four screws
- Handwheel with built-in locking mechanism
- Smallest possible dead space

Option:

- Individual configuration of the valve
- Self adjusting multifunctional module with integrated limit switches

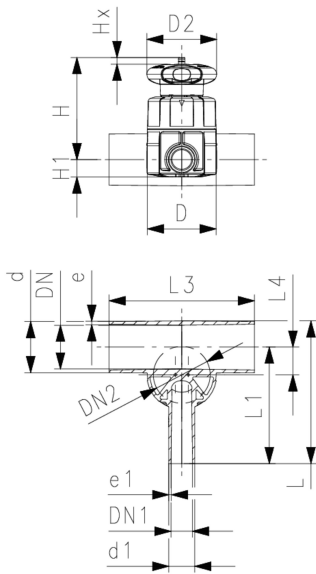


d (mm)	d1 (mm)	DN (mm)	DN1 (mm)	Size (inch)	PN (bar)	kv-value ($\Delta p=1$ bar) (l/min)	Valve Size d (mm)	PTFE/ EPDM* Code	PTFE/FKM* Code	Weight (kg)
20	20	15	15	½	10	57	20	181 519 301	181 519 501	0.350
25	20	20	15	¾	10	89	25	181 519 303	181 519 503	0.476
25	25	20	20	¾	10	118	25	181 519 304	181 519 504	0.633
32	20	25	15	1	10	80	25	181 519 307	181 519 507	0.692
32	25	25	20	1	10	105	25	181 519 308	181 519 508	0.721
32	32	25	25	1	10	231	32	181 519 309	181 519 509	0.889
40	20	32	15	1 ¼	10	85	32	181 519 312	181 519 512	0.963
40	25	32	20	1 ¼	10	119	32	181 519 313	181 519 513	0.812
40	32	32	25	1 ¼	10	153	32	181 519 314	181 519 514	0.845
40	40	32	32	1 ¼	10	187	32	181 519 315	181 519 515	0.866
50	20	40	15	1 ½	10	86	25	181 519 318	181 519 518	0.789
50	25	40	20	1 ½	10	160	32	181 519 319	181 519 519	0.905
50	32	40	25	1 ½	10	206	32	181 519 320	181 519 520	0.926
50	40	40	32	1 ½	10	524	63	181 519 321	181 519 521	2.381
50	50	40	40	1 ½	10	667	63	181 519 322	181 519 522	2.387
63	20	50	15	2	10	84	25	181 519 325	181 519 525	0.784
63	25	50	20	2	10	150	32	181 519 326	181 519 526	1.411
63	32	50	25	2	10	184	32	181 519 327	181 519 527	1.018
63	40	50	32	2	10	471	63	181 519 328	181 519 528	2.606
63	50	50	40	2	10	610	63	181 519 329	181 519 529	3.458
63	63	50	50	2	10	747	63	181 519 330	181 519 530	2.653
90	20	80	15	3	10	82	32	181 519 341	181 519 541	1.304
90	25	80	20	3	10	103	32	181 519 342	181 519 542	1.703
90	32	80	25	3	10	129	32	181 519 343	181 519 543	1.719
90	50	80	40	3	10	623	63	181 519 345	181 519 545	3.164
90	63	80	50	3	10	696	63	181 519 346	181 519 546	3.172
110	20	100	15	4	10	78	32	181 519 351	181 519 551	1.966
110	25	100	20	4	10	103	32	181 519 352	181 519 552	1.972
110	32	100	25	4	10	131	32	181 519 353	181 519 553	1.975
110	50	100	40	4	10	604	63	181 519 355	181 519 555	4.327
110	63	100	50	4	10	661	63	181 519 356	181 519 556	3.580
140	32	125	25	5	10	146	32	181 519 363	181 519 563	3.327
140	40	125	32	5	10	382	63	181 519 364	181 519 564	5.423
140	50	125	40	5	10	440	63	181 519 365	181 519 565	5.453
140	63	125	50	5	10	502	63	181 519 366	181 519 566	5.473
160	32	150	25	6	10	139	32	181 519 373	181 519 573	3.683
160	40	150	32	6	10	382	63	181 519 374	181 519 574	5.823
160	50	150	40	6	10	436	63	181 519 375	181 519 575	5.843
160	63	150	50	6	10	498	63	181 519 376	181 519 576	5.863

d (mm)	d1 (mm)	D (mm)	D2 (mm)	H (mm)	H1 (mm)	L (mm)	L1 (mm)	L3 (mm)	L4 (mm)	e (mm)	Lift = Hx (mm)	DN2 (mm)	e1 (mm)
20	20	65	65	75	14.0	117	96	162	12	1.9	7	15	1.90
25	20	80	65	80	17.5	133	108	162	16	1.9	10	20	1.90
25	25	80	65	80	17.5	133	108	162	16	1.9	10	20	1.90

Data sheet

valid from: 3/14/23



d	d1	D	D2	H	H1	L	L1	L3	L4	e	Lift = Hx	DN2	e1
(mm)	(mm)	(mm)	(mm)	(mm)	(mm)	(mm)	(mm)	(mm)	(mm)	(mm)	(mm)	(mm)	(mm)
32	20	80	65	84	21.5	142	120	162	19	2.4	10	20	1.90
32	25	80	65	84	21.5	142	120	162	19	2.4	10	20	1.90
32	32	88	87	107	21.5	145	120	160	19	2.4	13	25	2.40
40	20	88	87	115	21.5	149	128	180	23	2.4	13	25	1.90
40	25	88	87	115	21.5	149	128	180	23	2.4	13	25	1.90
40	32	88	87	115	21.5	149	128	180	23	2.4	13	25	2.40
40	40	88	87	115	21.5	174	153	180	23	2.4	13	25	2.40
50	20	80	65	97	17.5	160	134	180	27	3.0	10	20	1.90
50	25	88	87	120	21.5	160	134	180	28	3.0	13	25	1.90
50	32	88	87	120	21.5	160	134	180	28	3.0	13	25	2.40
50	40	144	135	164	32.0	209	169	209	33	3.0	25	50	2.40
50	50	144	135	164	32.0	209	169	209	33	3.0	25	50	3.00
63	20	80	65	104	17.5	177	144	180	33	3.0	10	20	1.90
63	25	88	87	127	21.5	177	144	180	35	3.0	13	25	1.90
63	32	88	87	127	21.5	177	144	180	35	3.0	13	25	2.40
63	40	144	135	170	39.0	225	192	220	39	3.0	25	50	2.40
63	50	144	135	170	39.0	225	192	220	39	3.0	25	50	3.00
63	63	144	135	170	39.0	225	192	220	39	3.0	25	50	3.00
90	20	88	87	140	21.5	205	159	190	47	4.3	13	25	1.90
90	25	88	87	140	21.5	205	159	190	47	4.3	13	25	1.90
90	32	88	87	140	21.5	205	159	190	47	4.3	13	25	2.40
90	50	144	135	184	39.0	254	207	250	51	4.3	25	50	3.00
90	63	144	135	184	39.0	254	207	250	51	4.3	25	50	3.00
110	20	88	87	149	21.5	227	171	190	56	5.3	13	25	1.90
110	25	88	87	149	21.5	227	171	190	56	5.3	13	25	1.90
110	32	88	87	149	21.5	227	171	190	56	5.3	13	25	2.40
110	50	144	135	194	39.0	276	219	250	60	5.3	25	50	3.00
110	63	144	135	194	39.0	276	219	250	60	5.3	25	50	3.00
140	32	87	87	155	21.5	258	186	310	70	6.7	12	25	2.40
140	40	144	135	204	39.0	291	219	310	78	6.7	25	50	2.40
140	50	144	135	204	39.0	291	219	310	78	6.7	25	50	3.00
140	63	144	135	204	39.0	291	219	310	78	6.7	25	50	3.00
160	32	87	87	161	21.5	278	196	310	81	7.7	12	25	2.40
160	40	144	135	213	39.0	301	219	310	87	7.7	25	50	2.40
160	50	144	135	213	39.0	301	219	310	87	7.7	25	50	3.00
160	63	144	135	213	39.0	301	219	310	87	7.7	25	50	3.00

The technical data are not binding. They neither constitute expressly warranted characteristics nor guaranteed properties nor a guaranteed durability. They are subject to modification. Our General Terms of Sale apply.

Georg Fischer Piping Systems Ltd, Postfach, CH-8201 Schaffhausen/Switzerland

Phone +41 -(0)52-631 1111

e-mail: info.ps@georgfischer.com

Internet: <http://www.gfps.com>