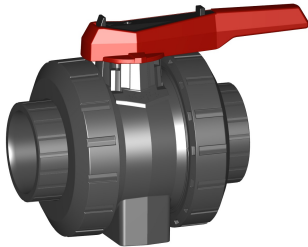


DN10/15 - 50



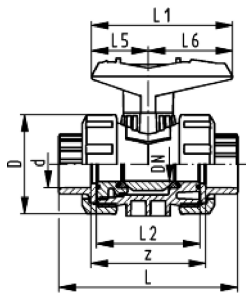
Ball valve type 546 PVC-U
With mounting inserts
With solvent cement sockets metric

Model:

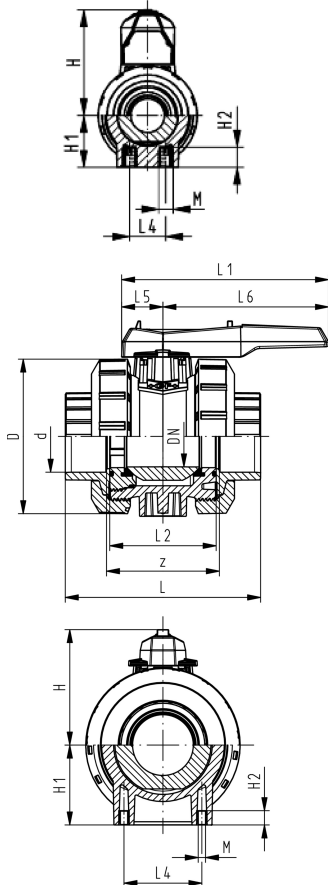
- For easy installation and removal
- Ball seat PTFE
- Integrated stainless steel mounting inserts
- Valve end and union nut are **not compatible** with type 346 (DN10/15-50) and type 370 (DN65-100)

Option:

- Individual configuration of the valve
- Multifunctional module with integrated limit switches
- Pneumatic or electric actuators from GF



d (mm)	Size (inch)	DN (mm)	PN (bar)	kv-value ($\Delta p=1$ bar) (L/min)	EPDM Code	SP	Weight (kg)	FKM Code	SP	Weight (kg)
16		10	16	71	161 546 061	1	0.153	161 546 071	1	0.156
20		15	16	185	161 546 062	1	0.156	161 546 072	1	0.158
25		20	16	350	161 546 063	1	0.240	161 546 073	1	0.242
32		25	16	700	161 546 064	1	0.343	161 546 074	1	0.345
40		32	16	1000	161 546 065	1	0.610	161 546 075	1	0.615
50		40	16	1600	161 546 066	1	0.838	161 546 076	1	0.844
63		50	16	3100	161 546 067	1	1.537	161 546 077	1	1.552
75	2 ½	65	16	5000	161 546 068	1	4.343	161 546 078	1	3.563
90		80	16	7000	161 546 069	1	6.184	161 546 079	1	5.376
110		100	16	11000	161 546 070	1	8.642	161 546 080	1	11.600



d (mm)	D (mm)	H (mm)	H1 (mm)	H2 (mm)	L (mm)	L1 (mm)	L2 (mm)	L4 (mm)	L5 (mm)	L6 (mm)	M	z (mm)	closest inch (inch)
16	50	57	27	12	92	77	56	25	32	45	6	64	¾
20	50	57	27	12	95	77	56	25	32	45	6	64	½
25	58	67	30	12	110	97	65	25	39	58	6	72	¾
32	68	73	36	12	123	97	71	25	39	58	6	79	1
40	84	90	44	15	146	128	85	45	54	74	8	94	1 ¼
50	97	97	51	15	157	128	89	45	54	74	8	95	1 ½
63	124	116	64	15	183	152	101	45	66	87	8	107	2
75	166	149	85	15	233	270	136	70	64	206	8	144	2 ½
90	200	161	105	15	254	270	141	70	64	206	8	151	3
110	238	178	123	22	301	320	164	120	64	256	12	174	4

Data sheet

valid from: 11/22/22



The technical data are not binding. They neither constitute expressly warranted characteristics nor guaranteed properties nor a guaranteed durability. They are subject to modification. Our General Terms of Sale apply.

Georg Fischer Piping Systems Ltd, Postfach, CH-8201 Schaffhausen/Switzerland

Phone +41 -(0)52-631 1111

e-mail: info.ps@georgfischer.com

Internet: <http://www.gfps.com>