



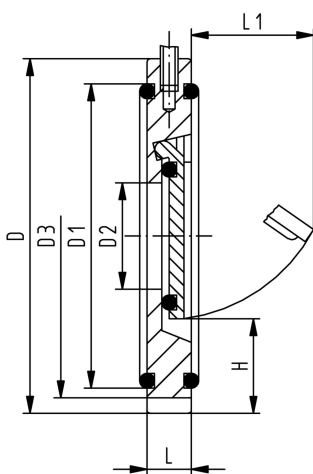
**PROGEF Standard Wafer check valve type 369
With V4A spring (stainless steel 316)**

Model:

- Material: PP-H
- Supporting eyelets for simple fitting
- Suitable for vertical and horizontal mounting

Installation instruction:

- Installation between ISO/DIN (all dimensions) and ANSI/BS flange adaptors (all except DN32 and DN125)
- Installation with ANSI/BS flange adaptor: for wafer check valves DN40 to DN80 you have to use ANSI/BS flange adaptors with the next bigger dimension (example DN40 wafer check valve between DN50 ANSI/BS flange adaptor)
- Centering by body diameter (ISO/DIN by D3, ANSI/BS by D)
- It is necessary to use a special outlet flange adaptor PP or PE on the outgoing side of the wafer check valve
- Sealing with special flange gasket (except DN32, o-ring)
- A stabilizing zone of at least 5 times nominal diameter (DN) should be provided before and after the wafer check valve (10 times DN is recommended)
- No direct installation on pump flange or following bend allowed



d (mm)	DN (mm)	Size (inch)	PN (bar)	EPDM Code	Weight (kg)	FKM Code	Weight (kg)
40	32	1 ¼	10	167 369 042	0.090	167 369 062	0.071
50	40	1 ½	10	167 369 043	0.095	167 369 063	0.100
63	50	2	10	167 369 044	0.141	167 369 064	0.170
75	65	2 ½	10	167 369 045	0.218	167 369 065	0.245
90	80	3	10	167 369 046	0.260	167 369 066	0.260
110	100	4	10	167 369 047	0.375	167 369 067	0.370
140	125	5	10	167 369 049	0.535	167 369 069	0.500
160	150	6	6	167 369 050	0.740	167 369 070	0.740
225	200	8	6	167 369 051	1.376	167 369 071	1.400
280	250	10	6	167 369 052	2.345	167 369 072	2.400
315	300	12	6	167 369 053	3.520	167 369 073	3.520

d (mm)	closest inch (inch)	D (mm)	D1 (mm)	D2 (mm)	D3 (mm)	L (mm)	L1 (mm)	H (mm)	Opening pressure vertical (mbar)	Opening pressure horizontal (mbar)	Minimum water col- umn for sealing (m)
40	1 ¼	85	59	18		15	22	25	30	20	3
50	1 ½	105	77	22	95	16	27	27	30	20	3
63	2	124	92	32	109	18	40	29	30	20	3
75	2 ½	137	111	40	129	20	55	31	30	20	3
90	3	175	131	54	144	20	67	32	30	20	3
110	4	175	153	70	164	23	77	31	30	20	3
140	5	195	185	92		23	94	35	30	20	3
160	6	222	198	105	220	26	100	41	30	20	3
225	8	279	259	154	275	34	152	38	38	20	3
280	10	340	311	192	330	40	180	41	38	20	3
315	12	410	347	227	380	45	215	41	38	20	3

The technical data are not binding. They neither constitute expressly warranted characteristics nor guaranteed properties nor a guaranteed durability. They are subject to modification. Our General Terms of Sale apply.

Georg Fischer Piping Systems Ltd, Postfach, CH-8201 Schaffhausen/Switzerland Phone +41 -(0)52-631 1111 e-mail: info.ps@georgfischer.com Internet: <http://www.gfps.com>