

DN10/15 - 50



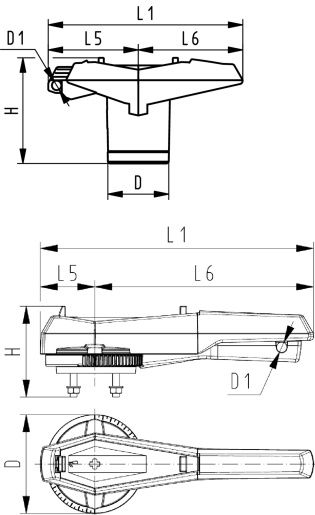
Multifunctional lever 546 red (K11) With ratchet settings lockable

Note:

To retrofit the ball valve 546 with the multifunctional handle a multifunction module is necessary in the dimensions DN65-100

Code 161 486 690 is compatible with the Butterfly Valve Type 567/578, dimension d63 DN50 - d90 DN80

Code 161 486 691 is compatible with the Butterfly Valve Type 567/578, dimension d110 DN100 - d140 DN125



d-d (mm)	DN-DN (mm)	Code	Weight (kg)	D (mm)	D1 (mm)	H (mm)	L1 (mm)	L5 (mm)	L6 (mm)
16 - 20	10 - 15	167 484 100	0.026	26	5	53	87	42	45
-- 25	-- 20	167 484 101	0.045	34	5	59	108	50	58
-- 32	-- 25	167 484 102	0.047	34	5	59	108	50	58
-- 40	-- 32	167 484 103	0.091	40	5	69	140	66	75
-- 50	-- 40	167 484 104	0.080	40	5	69	140	66	75
-- 63	-- 50	167 484 105	0.124	44	5	80	165	78	87
-- 75	-- 65	161 486 689	0.468	115	12	105	270	64	206
-- 90	-- 80	161 486 690	0.467	115	12	105	270	64	206
110 - 140	100 - 125	161 486 691	0.543	115	12	107	320	64	256

The technical data are not binding. They neither constitute expressly warranted characteristics nor guaranteed properties nor a guaranteed durability. They are subject to modification. Our General Terms of Sale apply.

Georg Fischer Piping Systems Ltd, Postfach, CH-8201 Schaffhausen/Switzerland

Phone +41 -(0)52-631 1111

e-mail: info.ps@georgfischer.com

Internet: <http://www.gfps.com>