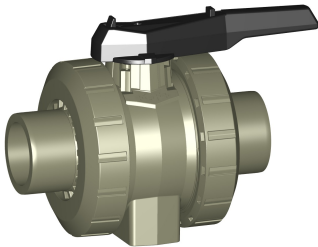


DN10/15 - 50



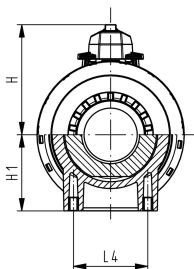
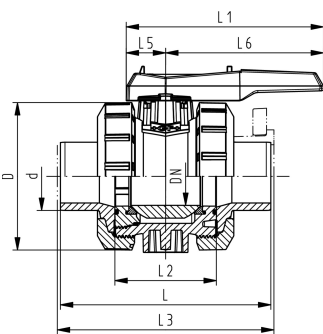
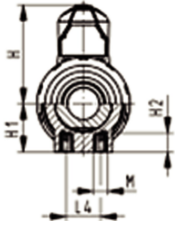
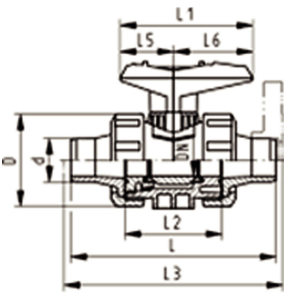
PROGEF Standard
Ball valve type 546
With mounting inserts
With socket fusion spigots metric

Model:

- Material: PP-H
- For easy installation and removal
- Ball seat PTFE
- Integrated stainless steel mounting inserts
- Valve end and union nut are **not compatible** with type 346 (DN10/15-50) and type 370 (DN65-100)

Option:

- Individual configuration of the valve
- Multifunctional module with integrated limit switches
- Pneumatic or electric actuators from GF



d (mm)	DN (mm)	PN (bar)	kv-value ($\Delta p=1$ bar) (l/min)	EPDM Code	SP	Weight (kg)	FKM Code	SP	Weight (kg)
16	10	10	71	167 546 041	1	0.120	167 546 051	1	0.120
20	15	10	185	167 546 042	1	0.120	167 546 052	1	0.120
25	20	10	350	167 546 043	1	0.180	167 546 053	1	0.180
32	25	10	700	167 546 044	1	0.266	167 546 054	1	0.260
40	32	10	1000	167 546 045	1	0.450	167 546 055	1	0.450
50	40	10	1600	167 546 046	1	0.635	167 546 056	1	0.640
63	50	10	3100	167 546 047	1	1.174	167 546 057	1	1.210
75	65	10	5000	167 546 048	1	3.800	167 546 058	1	3.800
90	80	10	7000	167 546 049	1	5.600	167 546 059	1	5.600
110	100	10	11000	167 546 050	1	8.800	167 546 060	1	8.800

d (mm)	D (mm)	H (mm)	H1 (mm)	H2 (mm)	L (mm)	L1 (mm)	L2 (mm)	L3 (mm)	L4 (mm)	L5 (mm)	L6 (mm)	M	closest inch (inch)
16	50	57	27	12	110	77	56		25	32	45	M6	3/8
20	50	57	27	12	120	77	56	130	25	32	45	M6	1/2
25	58	67	30	12	139	97	65	150	25	39	58	M6	3/4
32	68	73	36	12	150	97	71	160	25	39	58	M6	1
40	84	90	44	15	170	128	85	180	45	54	74	M8	1 1/4
50	97	97	51	15	190	128	89	200	45	54	74	M8	1 1/2
63	124	116	64	15	220	152	101	230	45	66	87	M8	2
75	166	149	85	15	280	270	136	290	70	64	206	M8	2 1/2
90	200	161	105	15	296	270	141	310	70	64	206	M8	3
110	238	178	123	22	336	320	164	350	120	64	256	M12	4

Data sheet

valid from: 7/18/23



The technical data are not binding. They neither constitute expressly warranted characteristics nor guaranteed properties nor a guaranteed durability. They are subject to modification. Our General Terms of Sale apply.

Georg Fischer Piping Systems Ltd, Postfach, CH-8201 Schaffhausen/Switzerland Phone +41 -(0)52-631 1111 e-mail: info.ps@georgfischer.com Internet: <http://www.gfps.com>