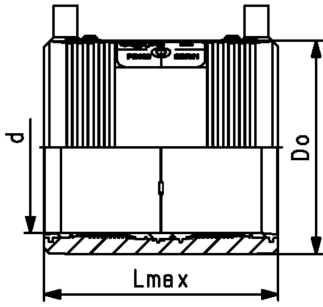




## ELGEF Plus Electrofusion coupler PE100 d75-315mm / SDR11

- 10 bar Gas / 16 bar Water
- 4 mm pin connectors
- Limited path fusion indicators
- Removable centre stop up to d160
- \* FM 1613 approved - 15 bar



|   | d<br>(mm) | DN<br>(mm) | PN<br>(bar) | Code               | Weight<br>(kg) | Do<br>(mm) | Lmax<br>(mm) | SDR pipe |
|---|-----------|------------|-------------|--------------------|----------------|------------|--------------|----------|
|   | 75        | 65         | 16          | <b>753 911 612</b> | 0.282          | 96         | 110          | 9-17.6   |
| * | 90        | 80         | 16          | <b>753 911 613</b> | 0.406          | 113        | 125          | 9-17.6   |
| * | 110       | 100        | 16          | <b>753 911 614</b> | 0.692          | 138        | 145          | 9-17.6   |
| * | 125       | 100        | 16          | <b>753 911 615</b> | 0.718          | 154        | 156          | 9-17.6   |
| * | 140       | 125        | 16          | <b>753 911 616</b> | 0.945          | 172        | 166          | 9-17.6   |
| * | 160       | 150        | 16          | <b>753 911 617</b> | 1.362          | 196        | 180          | 9-17.6   |
| * | 180       | 150        | 16          | <b>753 911 618</b> | 1.747          | 219        | 192          | 9-17.6   |
| * | 200       | 200        | 16          | <b>753 911 619</b> | 1.866          | 244        | 208          | 9-17.6   |
| * | 225       | 200        | 16          | <b>753 911 620</b> | 3.329          | 273        | 225          | 9-17.6   |
| * | 250       | 250        | 16          | <b>753 911 621</b> | 4.678          | 304        | 248          | 9-17.6   |
| * | 280       | 250        | 16          | <b>753 911 622</b> | 7.500          | 340        | 252          | 9-17.6   |
| * | 315       | 300        | 16          | <b>753 911 623</b> | 8.142          | 382        | 267          | 9-17.6   |

The technical data are not binding. They neither constitute expressly warranted characteristics nor guaranteed properties nor a guaranteed durability. They are subject to modification. Our General Terms of Sale apply.

Georg Fischer Piping Systems Ltd, Postfach, CH-8201 Schaffhausen/Switzerland Phone +41 -(0)52-631 1111 e-mail:  
info.ps@georgfischer.com Internet: <http://www.gfps.com>