

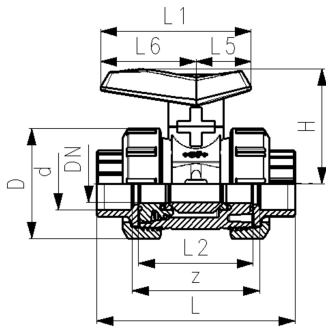
Ball valve type 542 PVC-U
With cemented socket (metric)
With PTFE ball seal

Model:

- For easy installation and removal
- Ball seat PTFE/ red lever

Option:

- Individual configuration of the valve possible
- Assembling of a valve tag possible



d	DN	Size	PN	kv-value	EPDM	SP	Weight	FKM	SP	Weight
(mm)	(mm)	(inch)	(bar)	($\Delta p=1$ bar)	Code		(kg)	Code		(kg)
				(l/min)						
16	10	3/8	16	71	161 542 001	1	0.148	161 542 011	1	0.148
20	15	1/2	16	185	161 542 002	1	0.150	161 542 012	1	0.150
25	20	3/4	16	350	161 542 003	1	0.233	161 542 013	1	0.233
32	25	1	16	700	161 542 004	1	0.336	161 542 014	1	0.336
40	32	1 1/4	16	1000	161 542 005	1	0.600	161 542 015	1	0.600
50	40	1 1/2	16	1600	161 542 006	1	0.830	161 542 016	1	0.830
63	50	2	16	3100	161 542 007	1	1.523	161 542 017	1	1.523

d	D	H	L	L1	L2	L5	L6	z
(mm)	(mm)	(mm)	(mm)	(mm)	(mm)	(mm)	(mm)	(mm)
16	50	54	92	72	56	26	46	64
20	50	54	95	72	56	26	46	63
25	58	66	110	93	65	34	59	73
32	68	71	124	93	71	34	59	79
40	84	85	147	110	85	41	69	94
50	97	92	157	110	89	41	69	95
63	124	108	184	128	101	49	79	108

The technical data are not binding. They neither constitute expressly warranted characteristics nor guaranteed properties nor a guaranteed durability. They are subject to modification. Our General Terms of Sale apply.

Georg Fischer Piping Systems Ltd, Postfach, CH-8201 Schaffhausen/Switzerland

Phone +41 -(0)52-631 1111

e-mail: info.ps@georgfischer.com

Internet: <http://www.gfps.com>