

SYGEF Standard Wafer Check valve type 369 Without spring

Model:

- Material: PVDF
- Supporting eyelets for simple fitting
- Suitable for vertical and horizontal mounting

Installation instruction:

- Installation between ISO/DIN (all dimensions) and ANSI/BS flange adaptors (all except DN32 and DN125)
- Installation with ANSI/BS flange adaptor: for wafer check valves DN40 to DN80 you have to use ANSI/BS flange adaptors with the next bigger dimension (example DN40 wafer check valve between DN50 ANSI/BS flange adaptor)
- Centering by body diameter (ISO/DIN by D3, ANSI/BS by D)
- Sealing with special flange gasket (except DN32, o-ring)
- A stabilizing zone of at least 5 times nominal diameter (DN) should be provided before and after the wafer check valve (10 times DN is recommended)
- No direct installation on pump flange or following bend allowed
- Wafer check valves without reset spring are not recommended for pulsating flows (production of noise)

Note:

In order to install the wafer check valves properly, Georg Fischer recommends flange adaptors of the next larger diameter of the valve (e.g. wafer check valve d90 with two flange adaptors d110)

d (mm)	DN (mm)	Size (inch)	PN (bar)	FKM Code	SP	Weight (kg)
40	32	1 ¼	10	175 369 022	1	0.133
50	40	1 ½	10	175 369 023	1	0.184
63	50	2	10	175 369 024	1	0.272
75	65	2 ½	10	175 369 025	1	0.410
90	80	3	10	175 369 026	1	0.508
110	100	4	10	175 369 027	1	0.722
140	125	5	10	175 369 029	1	0.991
160	150	6	6	175 369 030	1	1.418
225	200	8	6	175 369 031	1	2.710
280	250	10	6	175 369 032	1	4.520
315	300	12	6	175 369 033	1	6.900

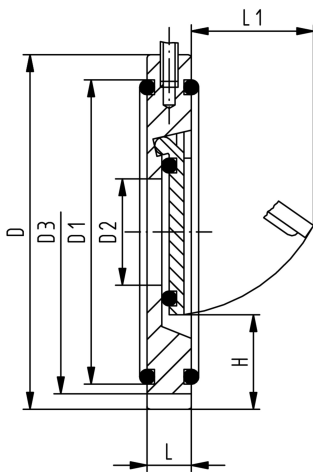
d (mm)	closest inch (inch)	D (mm)	D1 (mm)	D2 (mm)	D3 (mm)	L (mm)	L1 (mm)	H (mm)	Opening pressure vertical (mbar)	Opening pres- sure horizontal (mbar)
40	1 ¼	85	59	18		15	22	25	10	1
50	1 ½	105	77	22	95	16	27	27	10	1
63	2	124	92	32	109	18	40	29	10	1
75	2 ½	137	111	40	129	20	55	31	10	1
90	3	175	131	54	144	20	67	32	10	1
110	4	175	153	70	164	23	77	31	10	1
140	5	195	185	92		23	94	35	10	1
160	6	222	198	105	220	26	100	41	10	1
225	8	279	259	154	275	34	152	38	18	1
280	10	340	311	192	330	40	180	41	18	1
315	12	410	347	227	380	45	215	41	18	1

d Tightness from water column (m)

40	2
50	2
63	2
75	2
90	2

Data sheet

valid from: 12/10/22



**d Tightness from
(mm) water column**
(m)

110	2
140	2
160	2
225	2
280	2
315	2

The technical data are not binding. They neither constitute expressly warranted characteristics nor guaranteed properties nor a guaranteed durability. They are subject to modification. Our General Terms of Sale apply.

Georg Fischer Piping Systems Ltd, Postfach, CH-8201 Schaffhausen/Switzerland

Phone +41 -(0)52-631 1111

e-mail: info.ps@georgfischer.com

Internet: <http://www.gfps.com>