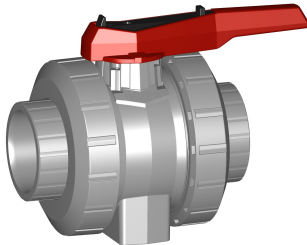


DN10/15 - 50



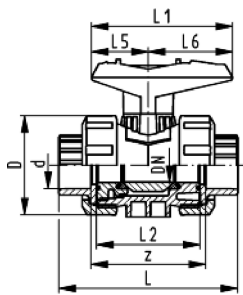
**Ball valve type 546 PVC-C**  
**With mounting inserts**  
**With solvent cement sockets metric**

**Model:**

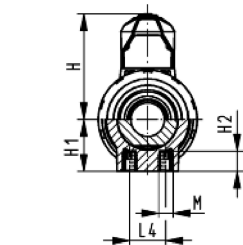
- For easy installation and removal
- Ball seat PTFE
- Integrated stainless steel mounting inserts
- Valve end and union nut are **not compatible** with type 346 (DN10/15-50) and type 370 (DN65-100)

**Option:**

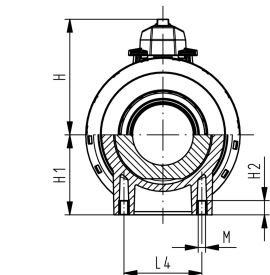
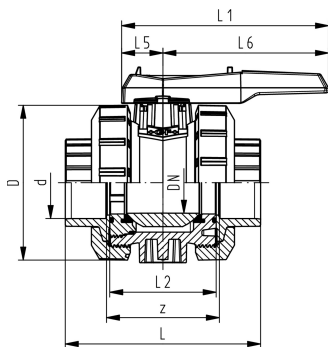
- Individual configuration of the valve
- Multifunctional module with integrated limit switches
- Pneumatic or electric actuators from GF



d (mm)	DN (mm)	PN (bar)	kv-value ( $\Delta p=1$ bar) (L/min)	EPDM Code	SP	Weight (kg)	FKM Code	SP	Weight (kg)
16	10	16	71	163 546 061	1	0.160	163 546 071	1	0.160
20	15	16	185	163 546 062	1	0.169	163 546 072	1	0.160
25	20	16	350	163 546 063	1	0.255	163 546 073	1	0.245
32	25	16	700	163 546 064	1	0.370	163 546 074	1	0.373
40	32	16	1000	163 546 065	1	0.648	163 546 075	1	0.658
50	40	16	1600	163 546 066	1	0.894	163 546 076	1	0.890
63	50	16	3100	163 546 067	1	1.653	163 546 077	1	1.662
75	65	16	5000	163 546 068	1	3.552	163 546 078	1	4.122
90	80	16	7000	163 546 069	1	6.646	163 546 079	1	6.698
110	100	16	11000	163 546 070	1	9.697	163 546 080	1	12.700



d (mm)	D (mm)	H (mm)	H1 (mm)	H2 (mm)	L (mm)	L1 (mm)	L2 (mm)	L4 (mm)	L5 (mm)	L6 (mm)	M	z (mm)	closest inch (inch)
16	50	57	27	12	92	77	56	25	32	45	M6	64	3/8
20	50	57	27	12	95	77	56	25	32	45	M6	64	1/2
25	58	67	30	12	110	97	65	25	39	58	M6	72	3/4
32	68	73	36	12	123	97	71	25	39	58	M6	79	1
40	84	90	44	15	146	128	85	45	54	74	M8	94	1 1/4
50	97	97	51	15	157	128	89	45	54	74	M8	95	1 1/2
63	124	116	64	15	183	152	101	45	66	87	M8	107	2
75	166	149	85	15	233	270	136	70	64	206	M8	144	2 1/2
90	200	161	105	15	254	270	141	70	64	206	M8	151	3
110	238	178	123	22	301	320	164	120	64	256	M12	174	4



# Data sheet

valid from: 12/24/23

---



The technical data are not binding. They neither constitute expressly warranted characteristics nor guaranteed properties nor a guaranteed durability. They are subject to modification. Our General Terms of Sale apply.

Georg Fischer Piping Systems Ltd, Postfach, CH-8201 Schaffhausen/Switzerland Phone +41 -(0)52-631 1111 e-mail: [info.ps@georgfischer.com](mailto:info.ps@georgfischer.com) Internet: <http://www.gfps.com>