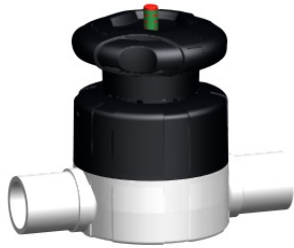


SYGEF Plus Diaphragm valve type 515 With butt fusion spigots metric



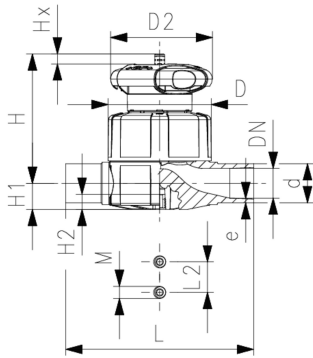
Model:

- Material: PVDF-HP
- Ideally suited for High Purity applications, not recommended for oxidizing acids
- Double flow rate compared to predecessor
- One housing nut replaces four screws
- Handwheel with built-in locking mechanism
- Overall length EN 558
- **For water use only**

Option:

- Individual configuration of the valve
- Self adjusting multifunctional module with integrated limit switches

*O-ring material: FKM white



d (mm)	DN (mm)	PN (bar)	kv-value ($\Delta p=1$ bar) (l/min)	PTFE/ EPDM* Code	Weight (kg)
20	15	16	125	180 515 132	0.295
25	20	16	271	180 515 133	0.438
32	25	16	481	180 515 134	0.870
40	32	16	759	180 515 135	0.944
50	40	16	1263	180 515 136	1.846
63	50	16	1728	180 515 137	2.512

d (mm)	D (mm)	D2 (mm)	H (mm)	H1 (mm)	H2 (mm)	L (mm)	L2 (mm)	M	e (mm)	Lift = Hx (mm)	closest inch (inch)
20	65	65	73	14	12	124	25	M4	1.9	7	½
25	80	65	81	18	12	144	25	M4	1.9	10	¾
32	88	87	107	22	12	155	25	M4	2.4	13	1
40	101	87	115	26	15	176	45	M8	2.4	15	1 ¼
50	117	135	148	32	15	193	45	M8	3.0	19	1 ½
63	144	135	166	39	15	223	45	M8	3.0	25	2

The technical data are not binding. They neither constitute expressly warranted characteristics nor guaranteed properties nor a guaranteed durability. They are subject to modification. Our General Terms of Sale apply.

Georg Fischer Piping Systems Ltd, Postfach, CH-8201 Schaffhausen/Switzerland

Phone +41 -(0)52-631 1111

e-mail: info.ps@georgfischer.com

Internet: <http://www.gfps.com>