

Ball valve type 375 PVC-U

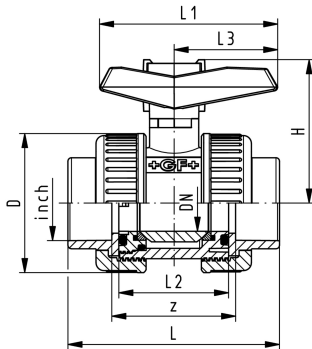
With solvent cement sockets metric/Inclusive 2 threaded valve ends Rp up to DN50

Model:

- True double union safe block ball valve
- Ball seat PTFE
- Handle includes integrated tool for ball seat adjustment
- Very compact dimensions
- z-dimension, valve end and union nut are not compatible with type 546
- Combo valve ends reduce stock positions

Range of use:

- Basic industrial applications without automation



d (mm)	DN (mm)	Size (inch)	PN (bar)	kv-value ($\Delta p=1$ bar) (L/min)	EPDM Code	SP	Weight (kg)	FKM Code	SP	Weight (kg)
16	10	3/8	16	71	161 375 801	1	0.150	161 375 811	1	0.150
20	15	1/2	16	185	161 375 802	1	0.153	161 375 812	1	0.153
25	20	3/4	16	350	161 375 803	1	0.242	161 375 813	1	0.242
32	25	1	16	700	161 375 804	1	0.351	161 375 814	1	0.351
40	32	1 1/4	16	1000	161 375 805	1	0.510	161 375 815	1	0.510
50	40	1 1/2	16	1600	161 375 806	1	0.809	161 375 816	1	0.809
63	50	2	16	3100	161 375 807	1	0.153	161 375 817	1	1.349

D (mm)	H (mm)	L (mm)	L1 (mm)	L2 (mm)	L3 (mm)	z (mm)
50	53	76	67	42	40	48
50	53	80	67	42	40	48
59	60	91	77	48	45	53
68	67	102	87	54	51	58
80	79	120	102	62	59	68
94	90	140	119	72	70	78
115	107	169	146	86	84	93

The technical data are not binding. They neither constitute expressly warranted characteristics nor guaranteed properties nor a guaranteed durability. They are subject to modification. Our General Terms of Sale apply.

Georg Fischer Piping Systems Ltd, Postfach, CH-8201 Schaffhausen/Switzerland

Phone +41 -(0)52-631 1111

e-mail: info.ps@georgfischer.com

Internet: <http://www.gfps.com>