



Lug-style end installation butterfly valve type 578 PVC-U
With hand lever
Flange standard metric

Model:

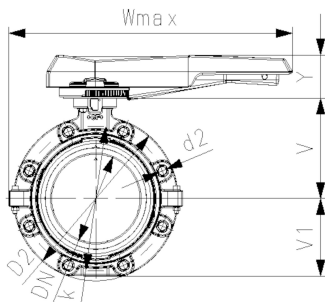
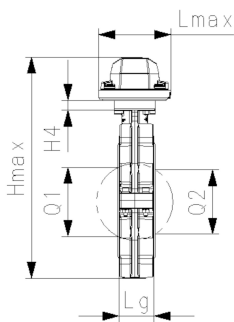
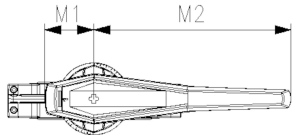
- Housing material: PP-GF30 with SS316 lug-inserts
- Overall length according to EN 558, ISO 5752 (DN50 - 200 line 25, DN250 - 300 line 10)
- Connecting dimension: ISO 7005 PN10, EN 1092 PN10, DIN 2501 PN10
- We recommend for the dimensions DN250 and DN300 only 6 bar maximum system pressure for the hand lever version

Option:

- Optional accessory: Valve-Integrated position feedback with limit switches (limit switches have to be ordered separately)

Note:

For some material combination (e.g. DN300 valves with PE/PP pipes) special flange adapters are needed. Please check the "Perfect flange connection tool" on www.gfps.com



d (mm)	Size (inch)	DN (mm)	PN (bar)	kv-value ($\Delta p=1$ bar) (l/min)	EPDM Code	Weight (kg)	FKM Code	Weight (kg)
63	2	50	10	740	161 578 002	1.800	161 578 022	1.800
75	2 ½	65	10	1500	161 578 003	1.895	161 578 023	1.895
90	3	80	10	2400	161 578 004	2.251	161 578 024	2.251
110	4	100	10	3800	161 578 005	3.146	161 578 025	3.146
140	5	125	10	8600	161 578 006	4.660	161 578 026	4.660
160	6	150	10	11400	161 578 007	6.430	161 578 027	6.430
225	8	200	10	19900	161 578 008	8.625	161 578 028	8.625
280	10	250	6	34000	161 578 009	19.528	161 578 029	19.528
315	12	300	6	50000	161 578 010	26.106	161 578 030	26.106

d (mm)	Hmax (mm)	Lmax (mm)	Wmax (mm)	U (mm)	V (mm)	H4 (mm)	V1 (mm)	Lg (mm)	D2 (mm)	Q1 (mm)	Q2 (mm)	d2 (mm)	k (mm)	Y (mm)
63	278.9	115.2	287.8	90	133.3	23	78.8	44.7	160	40		M16	125	66.8
75	291.8	115.2	296.3	90	139.9	23	85.1	45.7	180	54	35	M16	145	66.8
90	303.6	115.2	310.3	90	145.6	23	91.2	48.7	195	67	50	M16	160	66.8
110	343.6	115.2	375.2	90	166.0	23	107.5	55.6	226	88	74	M16	180	70.1
140	372.8	115.2	391.2	90	180.0	23	122.7	63.5	258	113	97	M16	210	70.1
160	393.6	115.2	395.2	90	189.0	23	134.5	71.5	284	139	123	M20	240	70.1
225	458.1	149.4	588.1	90	210.5	23	161.5	72.5	341	178	169	M20	295	86.1
280	557.6	149.4	628.1	125	264.4	23	206.9	113.2	412	210	207	M20	350	86.3
315	607.0	149.4	663.1	125	285.2	23	235.5	114.6	482	256	253	M20	400	86.3

d (mm)	M1 (mm)	M2 (mm)
63	63.7	205.3
75	63.7	205.3
90	63.7	205.3
110	63.7	255.2
140	63.7	255.2
160	63.7	255.2
225	101.7	408.1
280	101.7	408.1
315	101.7	408.1

The technical data are not binding. They neither constitute expressly warranted characteristics nor guaranteed properties nor a guaranteed durability. They are subject to modification. Our General Terms of Sale apply.

Data sheet

valid from: 12/22/23



Georg Fischer Piping Systems Ltd, Postfach, CH-8201 Schaffhausen/Switzerland Phone +41 -(0)52-631 1111 e-mail:
info.ps@georgfischer.com Internet: <http://www.gfps.com>