

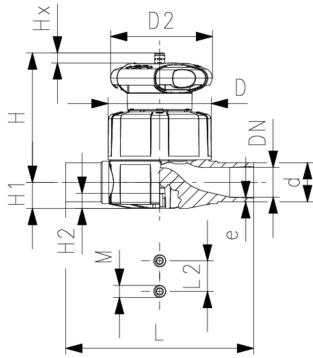
## SYGEF Standard Diaphragm valve type 515 With butt fusion spigots metric

### Model:

- Material: PVDF
- Double flow rate compared to predecessor
- One housing nut replaces four screws
- Handwheel with built-in locking mechanism
- Overall length EN 558

### Option:

- Individual configuration of the valve
- Self adjusting multifunctional module with integrated limit switches



d (mm)	PTFE/ EPDM* Code	Weight (kg)
20	<b>185 515 132</b>	0.280
25	<b>185 515 133</b>	0.514
32	<b>185 515 134</b>	0.677
40	<b>185 515 135</b>	0.942
50	<b>185 515 136</b>	2.492
63	<b>185 515 137</b>	2.465

d (mm)	D (mm)	D2 (mm)	H (mm)	H1 (mm)	H2 (mm)	L (mm)	L2 (mm)	M	e (mm)	Lift = Hx (mm)	closest inch (inch)
20	65	65	73	14	12	124	25	M6	1.9	7	½
25	80	65	81	18	12	144	25	M6	1.9	10	¾
32	88	87	107	22	12	155	25	M6	2.4	13	1
40	101	87	115	26	15	176	45	M8	2.4	15	1 ¼
50	117	135	148	32	15	193	45	M8	3.0	19	1 ½
63	144	135	166	39	15	223	45	M8	3.0	25	2

The technical data are not binding. They neither constitute expressly warranted characteristics nor guaranteed properties nor a guaranteed durability. They are subject to modification. Our General Terms of Sale apply.

Georg Fischer Piping Systems Ltd, Postfach, CH-8201 Schaffhausen/Switzerland

Phone +41 -(0)52-631 1111

e-mail: [info.ps@georgfischer.com](mailto:info.ps@georgfischer.com)

Internet: <http://www.gfps.com>