

Diaphragm valve type 514 PVC-U With solvent cement sockets metric

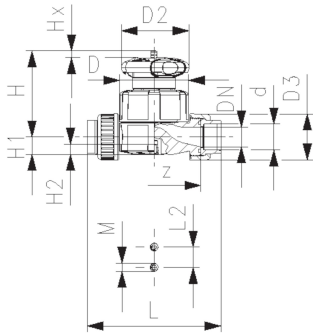
Model:

- Double flow rate compared to predecessor
- One housing nut replaces four screws
- Handwheel with built-in locking mechanism
- For easy installation and removal
- Short overall length

Option:

- Individual configuration of the valve
- Self adjusting multifunctional module with integrated limit switches
- PN16 available as a configuration

* O-Ring material: FKM



d (mm)	DN (mm)	Size (inch)	PN (bar)	kv-value ($\Delta p=1$ bar) (l/min)	NBR Code	SP Weight (kg)	EPDM Code	SP Weight (kg)
16	10	3/8	10	125	161 514 001	1 0.324	161 514 011	1 0.319
20	15	1/2	10	125	161 514 002	1 0.328	161 514 012	1 0.323
25	20	3/4	10	271	161 514 003	1 0.492	161 514 013	1 0.472
32	25	1	10	481	161 514 004	1 0.721	161 514 014	1 0.704
40	32	1 1/4	10	759	161 514 005	1 1.070	161 514 015	1 0.973
50	40	1 1/2	10	1263	161 514 006	1 1.643	161 514 016	1 1.618
63	50	2	10	1728	161 514 007	1 2.510	161 514 017	1 2.484

d (mm)	PTFE/ EPDM* Code	SP Weight (kg)	FKM Code	SP Weight (kg)	PTFE/FKM* Code	SP Weight (kg)
16	161 514 031	1 0.335	161 514 061	1 0.328	800 047 300	1 0.331
20	161 514 032	1 0.339	161 514 062	1 0.332	800 047 301	1 0.335
25	161 514 033	1 0.506	161 514 063	1 0.499	800 047 303	1 0.499
32	161 514 034	1 0.748	161 514 064	1 0.732	800 047 304	1 0.731
40	161 514 035	1 1.105	161 514 065	1 1.087	800 047 306	1 1.084
50	161 514 036	1 1.679	161 514 066	1 1.669	800 047 308	1 1.662
63	161 514 037	1 2.548	161 514 067	1 2.555	800 047 309	1 2.547

d (mm)	D (mm)	D2 (mm)	D3 (mm)	H (mm)	H1 (mm)	H2 (mm)	L (mm)	L2 (mm)	M	z (mm)	Lift = Hx (mm)	closest inch (inch)
16	65	65	43	73	14	12	170	25	M6	142	7	3/8
20	65	65	43	73	14	12	128	25	M6	96	7	1/2
25	80	65	51	81	18	12	152	25	M6	114	10	3/4
32	88	87	58	107	22	12	166	25	M6	122	13	1
40	101	87	72	115	26	15	192	45	M8	140	15	1 1/4
50	117	135	83	148	32	15	222	45	M8	160	19	1 1/2
63	144	135	100	166	39	15	266	45	M8	190	25	2

The technical data are not binding. They neither constitute expressly warranted characteristics nor guaranteed properties nor a guaranteed durability. They are subject to modification. Our General Terms of Sale apply.

Georg Fischer Piping Systems Ltd, Postfach, CH-8201 Schaffhausen/Switzerland

Phone +41 -(0)52-631 1111

e-mail: info.ps@georgfischer.com

Internet: <http://www.gfps.com>