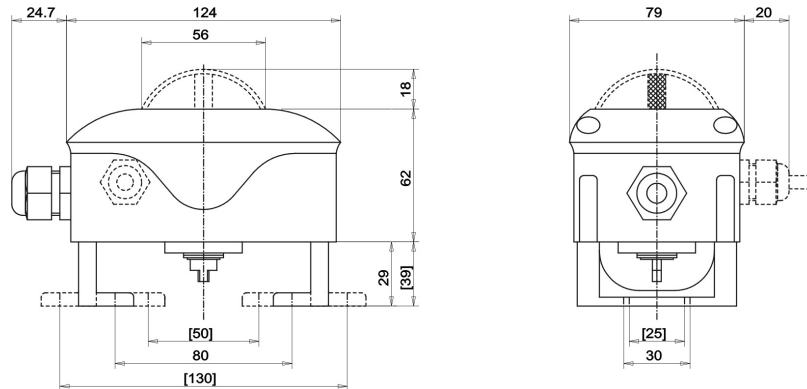




**Limit switch box with 2 switches
for pneumatic actuators type PA11-PA90 and type PPA08-PPA80**

- Including namur mounting flange
- NPN and PNP with luminous diode

Spannung	Code	Contacts	Switch type	Art.No.
250 V ~/10 A	199 190 282	AgNi	Cherry	D44X
10...30 V/ 0.1 A	199 190 283	NPN	Pepperl+Fuchs	NBB2-V3-E0
10...30 V/ 0.1 A	199 190 284	PNP	Pepperl+Fuchs	NBB2-V3-E2
5-15 V	199 190 285	Eexi (Namur)	Pepperl+Fuchs	NJ2-V3-N
250 V ~/5 A	199 190 286	Eexd	Bartec	07-1511-1530
30 V =/ 1-100 mA	199 190 287	Au	Cherry	D41X



The technical data are not binding. They neither constitute expressly warranted characteristics nor guaranteed properties nor a guaranteed durability. They are subject to modification. Our General Terms of Sale apply.

Georg Fischer Piping Systems Ltd, Postfach, CH-8201 Schaffhausen/Switzerland Phone +41 -(0)52-631 1111 e-mail: info.ps@georgfischer.com Internet: <http://www.gfps.com>