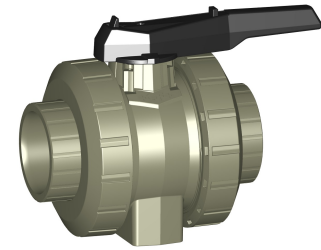


DN10/15 - 50



## PROGEF Standard Ball valve type 546 Pro With fusion sockets metric

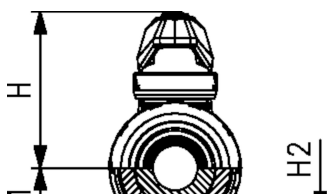
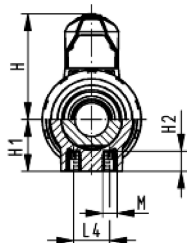
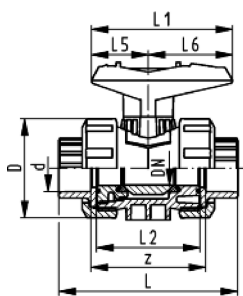
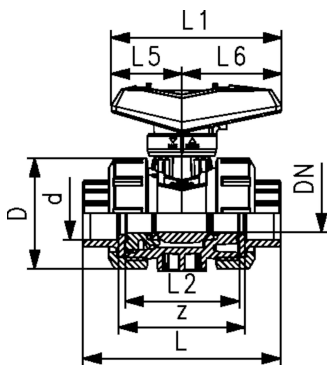
### Model:

- Material: PP-H
- Lockable lever as standard (DN10-DN50)
- For easy installation and removal
- Ball seat PTFE
- Integrated stainless steel mounting inserts
- Z-dimension, valve end and union nut **are compatible** with type 546 (1<sup>st</sup> Generation)
- Valve end and union nut are **not compatible** with type 346 (DN10/15-50) and type 370 (DN65-100)

### Option:

- Interface-module with position feedback sensor, incl. LED feedback (DN10-50)
- Manual spring return lever ("Dead man") (DN10-25)
- Pneumatic or electric actuators from GF
- Individual configuration of the valve possible
- Multifunctional module with integrated limit switches (DN65-100)
- Multifunctional module with integrated limit switches
- Individual configuration of the valve

d (mm)	DN (mm)	PN (bar)	kv-value ( $\Delta p=1$ bar) (L/min)	EPDM Code	FKM Code	Weight (kg)	FFKM Code
16	10	10	71	167 546 401	167 546 411	0.115	167 546 721
20	15	10	185	167 546 402	167 546 412	0.123	167 546 722
25	20	10	350	167 546 403	167 546 413	0.184	167 546 723
32	25	10	700	167 546 404	167 546 414	0.258	167 546 724
40	32	10	1000	167 546 405	167 546 415	0.451	167 546 725
50	40	10	1600	167 546 406	167 546 416	0.617	167 546 726
63	50	10	3100	167 546 407	167 546 417	1.130	167 546 727
75	65	10	5000	167 546 408	167 546 418	3.335	
90	80	10	7000	167 546 409	167 546 419	5.500	
110	100	10	11000	167 546 410	167 546 420	8.700	



d (mm)	D (mm)	H (mm)	H1 (mm)	H2 (mm)	L (mm)	L1 (mm)	L2 (mm)	L4 (mm)	L5 (mm)	L6 (mm)	M	z (mm)
16	50	61	27	12	93	82	56	25	35	47	M6	67
20	50	61	27	12	95	82	56	25	35	47	M6	67
25	58	74	30	12	108	106	65	25	44	62	M6	76
32	68	80	36	12	118	106	71	25	44	62	M6	82
40	84	95	44	15	137	131	85	45	57	74	M8	97
50	97	102	51	15	147	131	89	45	57	74	M8	101
63	124	117	64	15	168	152	101	45	66	86	M8	114
75	166	150	85	15	233	270	136	70	64	206	M8	171
90	200	161	105	15	253	270	141	70	64	206	M8	183
110	238	178	123	22	293	320	164	120	64	256	M12	211

# Data sheet

valid from: 2/22/24

---



The technical data are not binding. They neither constitute expressly warranted characteristics nor guaranteed properties nor a guaranteed durability. They are subject to modification. Our General Terms of Sale apply.

Georg Fischer Piping Systems Ltd, Postfach, CH-8201 Schaffhausen/Switzerland Phone +41 -(0)52-631 1111 e-mail: info.ps@georgfischer.com Internet: <http://www.gfps.com>