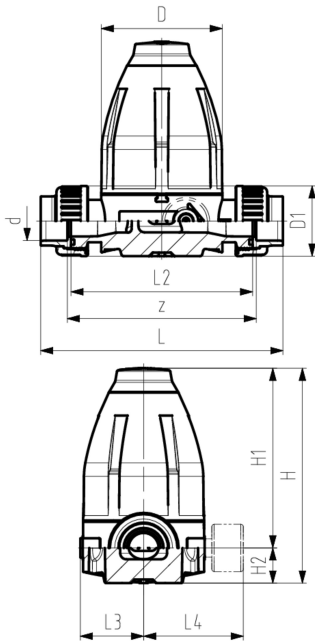


PROGEF Standard Pressure reducing valve type 582
Unions with fusion sockets metric
Without manometer

Model:

- Diaphragm PTFE/EPDM
- Integrated stainless steel mounting inserts
- 0.5-9.0 bar (7-130 psi)

0.3-3.0 bar (4-44 psi) on request
 Manometer on request



d (mm)	DN (mm)	Size (inch)	PN (bar)	O-rings EPDM Code	Weight (kg)	GP	O-rings FKM Code
20	15	½	10	167 582 102	0.600	1	167 582 112
25	20	¾	10	167 582 103	1.300		167 582 113
32	25	1	10	167 582 104	1.320		167 582 114
40	32	1 ¼	10	167 582 105	3.530		167 582 115
50	40	1 ½	10	167 582 106	3.650		167 582 116
63	50	2	10	167 582 107	3.800		167 582 117

d (mm)	D (mm)	D1 (mm)	H (mm)	H1 (mm)	H2 (mm)	H3 (mm)	L (mm)	L2 (mm)	L3 (mm)	M	z (mm)	closest inch (inch)
20	79	48	132	111	21	12	158	120	42	M6	126	½
25	100	58	177	148	29	14	192	150	53	M6	156	¾
32	100	65	177	148	29	14	196	150	53	M6	156	1
40	147	77	251	207	44	21	255	205	76	M8	211	1 ¼
50	147	84	251	207	44	21	261	205	76	M8	211	1 ½
63	147	111	251	207	44	21	269	205	76	M8	211	2

The technical data are not binding. They neither constitute expressly warranted characteristics nor guaranteed properties nor a guaranteed durability. They are subject to modification. Our General Terms of Sale apply.

Georg Fischer Piping Systems Ltd, Postfach, CH-8201 Schaffhausen/Switzerland Phone +41 -(0)52-631 1111 e-mail:
 info.ps@georgfischer.com Internet: <http://www.gfps.com>