

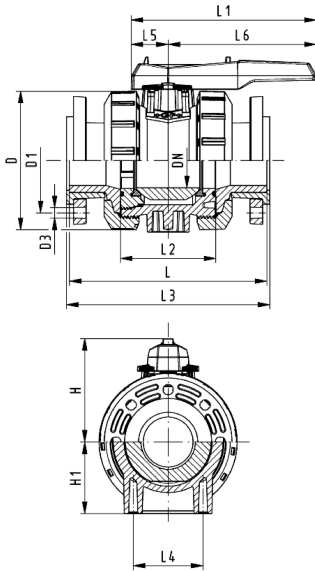
Ball valve type 546 PVC-U
With mounting inserts
With backing flanges PVC-U metric

Model:

- For easy installation and removal
- Ball seat PTFE
- Integrated stainless steel mounting inserts
- z-dimension, valve end and union nut are **not compatible** with type 370
- Overall length according to EN 558
- Connecting dimension: ISO 7005, EN 1092, BS 4504, DIN 2501
- Hole circle PN10

Option:

- Individual configuration of the valve
- Multifunctional module with integrated limit switches
- Pneumatic or electric actuators from GF



d (mm)	DN (mm)	PN (bar)	kv-value ($\Delta p=1$ bar) (l/min)	EPDM Code	SP Weight (kg)	FKM Code	SP Weight (kg)
75	65	10	5000	161 546 108	1 4.764	161 546 118	1 7.200
90	80	10	7000	161 546 109	1 6.983	161 546 119	1 7.008
110	100	10	11000	161 546 110	1 11.879	161 546 120	1 16.500

d (mm)	D (mm)	H (mm)	H1 (mm)	H2 (mm)	L (mm)	L1 (mm)	L2 (mm)	L3 (mm)	L4 (mm)	L5 (mm)	L6 (mm)	M	closest inch (inch)
75	166	149	85	15	284	270	136	290	70	64	206	M8	1 ¼
90	200	161	105	15	300	270	141	310	70	64	206	M8	1 ½
110	238	178	123	22	340	320	164	350	120	64	256	M12	2

The technical data are not binding. They neither constitute expressly warranted characteristics nor guaranteed properties nor a guaranteed durability. They are subject to modification. Our General Terms of Sale apply.

Georg Fischer Piping Systems Ltd, Postfach, CH-8201 Schaffhausen/Switzerland
 Phone +41 -(0)52-631 1111
 e-mail: info.ps@georgfischer.com
 Internet: <http://www.gfps.com>