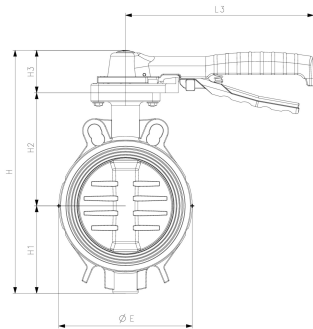


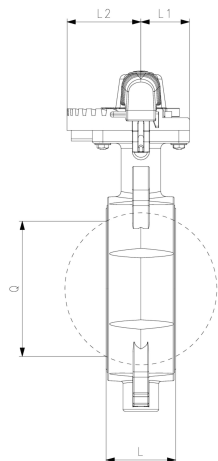


Lever-operated butterfly valve PVC-U
With EPDM/SANTOPRENE™gaskets

d (mm)	DN (mm)	DN (inch)	PN (bar)	Code	SP	Weight (kg)
75	65	2 ½	10	VFA02D750	1	1.189
90	80	3	10	VFA02D900	1	1.292
110	100	4	10	VFA02D910	1	1.723
125 - 140	125	5	10	VFA02D920	1	2.328
160	150	6	10	VFA02D940	1	3.350
200 - 225	200	8	6	VFA02D960	1	5.482



d (mm)	H3 (mm)	L3 (mm)	Q (mm)	H2 (mm)	L (mm)	L2 (mm)	L1 (mm)	H (mm)	E (mm)	H1 (mm)	H4 (mm)
75	55	220	46	115	46	70	46	246	112	76	43
90	55	220	64	120	48	70	46	267	128	92	43
110	55	220	84	130	54	70	46	291	152	106	43
125 - 140	55	250	108	150	63	70	46	321	177	116	43
160	55	250	133	169	63	70	46	356	212	131	43
200 - 225	61	282	180	209	74	70	46	433	260	163	43



The technical data are not binding. They neither constitute expressly warranted characteristics nor guaranteed properties nor a guaranteed durability. They are subject to modification. Our General Terms of Sale apply.

Georg Fischer Piping Systems Ltd, Postfach, CH-8201 Schaffhausen/Switzerland

Phone +41 -(0)52-631 1111

e-mail: info.ps@georgfischer.com

Internet: <http://www.gfps.com>