



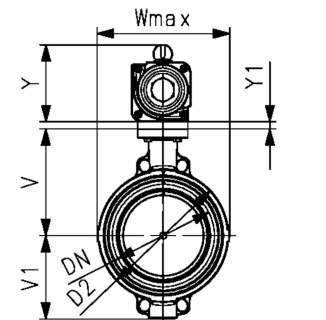
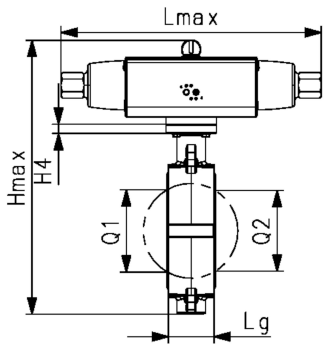
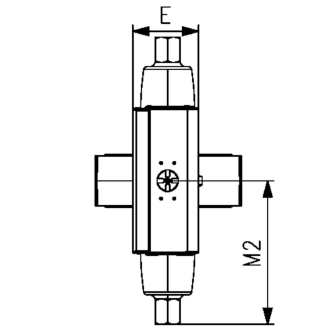
Wafer-style intermediate installation butterfly valve type 240 PVC-U
With pneumatic actuator - fail safe to close (FC)
Without manual override
Flange standard metric/ANSI/BS/JIS

Model:

- Control range 90°<
- Overall length according to EN 558, ISO 5752
- Connecting dimension: ISO 7005 PN 10, EN 1092 PN 10, DIN 2501 PN 10, ANSI/ASME B 16.5 Class 150, BS 1560: 1989, BS 4504, JIS B 2220

Note:

For some material combination (e.g. DN300 valves with PE/PP pipes) special flange adapters are needed. Please check the "Perfect flange connection tool" on www.gfps.com



d	Size	DN	PN	kv-value	EPDM	SP	Weight	FKM	SP	Weight
(mm)	(inch)	(mm)	(bar)	($\Delta p=1$ bar)	Code		(kg)	Code		(kg)
				(l/min)						
63	2	50	10	740	199 240 002	1	2.976	199 240 022	1	3.222
75	2 1/2	65	10	1500	199 240 003	1	3.086	199 240 023	1	3.075
90	3	80	10	2400	199 240 004	1	3.486	199 240 024	1	3.938
110	4	100	10	3800	199 240 005	1	5.224	199 240 025	1	5.263
140	5	125	10	8600	199 240 006	1	7.127	199 240 026	1	6.884
160	6	150	10	11400	199 240 007	1	10.047	199 240 027	1	10.095
225	8	200	10	19900	199 240 008	1	14.925	199 240 028	1	14.134
280	10	250	10	34000	199 240 009	1	28.200	199 240 029	1	28.000
315	12	300	5	50000	199 240 010	1	36.200	199 240 030	1	36.400

d	Hmax	Lmax	Wmax	U	V	H4	V1	Lg	D2	Q1	Q2	k	Y	E
(mm)	(mm)	(mm)	(mm)	(mm)	(mm)	(mm)	(mm)	(mm)	(mm)	(mm)	(mm)	(mm)	(mm)	(mm)
63	325.3	274.4	118.4	90	133.3	70	78.8	45	104	40		125	98.2	70.4
75	338.2	274.4	132.5	90	139.9	70	85.1	46	115	54	35	145	98.2	70.4
90	362.9	325.2	136.8	90	145.6	78	91.2	49	131	67	50	160	111.1	83.3
110	386.9	359.6	161.0	90	166.4	86	105.7	56	161	88	74	180	114.8	87.0
140	448.3	418.0	187.0	90	180.0	96	118.8	64	187	113	97	210	149.5	107.5
160	473.0	434.0	215.0	90	189.0	106	130.9	72	215	139	123	240	153.1	111.1
225	528.8	498.4	267.0	90	210.5	118	158.3	73	267	178	169	295	160.0	118.0
280	676.9	646.0	329.0	125	262.6	148	206.1	113	329	210	207	350	190.0	148.0
315	741.4	681.0	380.4	125	284.3	157	228.8	113	379	256	253	400	210.1	168.0

d	Y1	M2
(mm)	(mm)	(mm)
63	15.0	137.2
75	15.0	137.2
90	15.0	162.6
110		179.8
140		209.0
160		217.0
225		249.2
280	18.2	323.0
315	18.2	340.5

Data sheet

valid from: 6/30/23



The technical data are not binding. They neither constitute expressly warranted characteristics nor guaranteed properties nor a guaranteed durability. They are subject to modification. Our General Terms of Sale apply.

Georg Fischer Piping Systems Ltd, Postfach, CH-8201 Schaffhausen/Switzerland

Phone +41 -(0)52-631 1111

e-mail: info.ps@georgfischer.com

Internet: <http://www.gfps.com>