

3-Way ball valve type 170 PVC-U
Vertical/L-port 24V
With manual emergency override
With solvent cement sockets metric

Model:

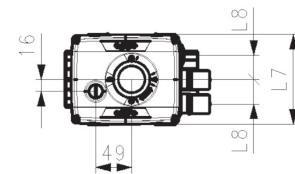
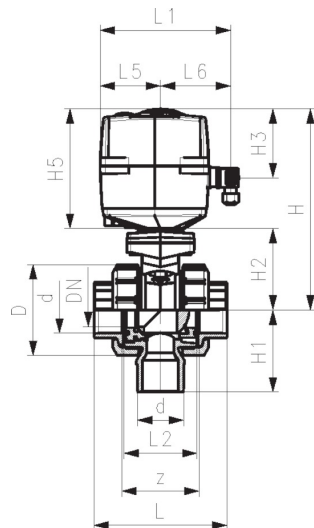
- Voltage 24V AC/DC
- Factory set control range 90°<
- Basic position B-C opened, activated position A-C opened, see flow scheme
- Other positions possible by adjusting the limit switches
- Heating element, position feedback (Open/Close/ Middle)
- Integrated stainless steel mounting inserts

Option:

- Optional accessories: Fail-safe return unit, Monitoring board, Position controller, Profibus DP board

d (mm)	DN (mm)	Size (inch)	PN (bar)	kv-value ($\Delta p=1$ bar) (L/min)	EA	EPDM Code	Weight (kg)	FKM Code	Weight (kg)
16	10	3/8	10	49	EA25	199 170 262	2.039	199 170 272	2.039
20	15	1/2	10	77	EA25	199 170 263	2.043	199 170 273	2.043
25	20	3/4	10	146	EA25	199 170 264	2.546	199 170 274	2.150
32	25	1	10	260	EA25	199 170 265	2.267	199 170 275	2.267
40	32	1 1/4	10	437	EA25	199 170 266	2.922	199 170 276	2.554
50	40	1 1/2	10	667	EA25	199 170 267	2.818	199 170 277	2.818
63	50	2	10	1293	EA25	199 170 268	3.595	199 170 278	3.595

d (mm)	D (mm)	H (mm)	H1 (mm)	H2 (mm)	H3 (mm)	H5 (mm)	L (mm)	L1 (mm)	L2 (mm)	L5 (mm)	L6 (mm)	L7 (mm)	L8 (mm)	z (mm)	closest inch (inch)
16	50	231	62	64	94	167	92	180	56	97	83	122	33	64	3/8
20	50	231	62	64	94	167	95	180	56	97	83	122	33	64	1/2
25	58	240	72	73	94	167	111	180	66	97	83	122	33	74	3/4
32	68	240	77	73	94	167	123	180	71	97	83	122	33	79	1
40	84	251	87	84	94	167	146	180	85	97	83	122	33	95	1 1/4
50	97	251	97	84	94	167	157	180	89	97	83	122	33	95	1 1/2
63	124	273	112	106	94	167	183	180	101	97	83	122	33	107	2



The technical data are not binding. They neither constitute expressly warranted characteristics nor guaranteed properties nor a guaranteed durability. They are subject to modification. Our General Terms of Sale apply.

Data sheet

valid from: 9/10/22



Georg Fischer Piping Systems Ltd, Postfach, CH-8201 Schaffhausen/Switzerland

Phone +41 -(0)52-631 1111

e-mail: info.ps@georgfischer.com

Internet: <http://www.gfps.com>