



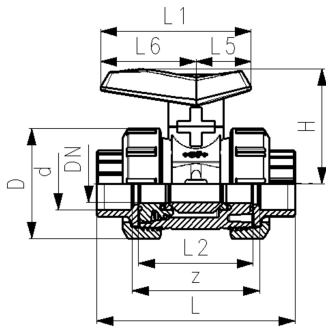
Ball valve type 542 PVC-C
With cemented socket (metric)
With PTFE ball seal

Model:

- For easy installation and removal
- Ball seat PTFE/ red lever

Option:

- Individual configuration of the valve possible
- Assembling of a valve tag possible



d	DN	Size	PN	kv-value	EPDM	SP	Weight	FKM	SP	Weight
(mm)	(mm)	(inch)	(bar)	($\Delta p=1$ bar)	Code		(kg)	Code		(kg)
				(l/min)						
16	10	3/8	16	71	163 542 001	1	0.160	163 542 011	1	0.160
20	15	1/2	16	185	163 542 002	1	0.163	163 542 012	1	0.163
25	20	3/4	16	350	163 542 003	1	0.252	163 542 013	1	0.252
32	25	1	16	700	163 542 004	1	0.362	163 542 014	1	0.362
40	32	1 1/4	16	1000	163 542 005	1	0.638	163 542 015	1	0.638
50	40	1 1/2	16	1600	163 542 006	1	0.891	163 542 016	1	0.891
63	50	2	16	3100	163 542 007	1	1.644	163 542 017	1	1.644

d	D	H	L	L1	L2	L5	L6	z
(mm)	(mm)	(mm)	(mm)	(mm)	(mm)	(mm)	(mm)	(mm)
16	50	54	92	72	56	26	46	64
20	50	54	95	72	56	26	46	63
25	58	66	110	93	65	34	59	73
32	68	71	124	93	71	34	59	79
40	84	85	147	110	85	41	69	94
50	97	92	157	110	89	41	69	95
63	124	108	184	128	101	49	79	108

The technical data are not binding. They neither constitute expressly warranted characteristics nor guaranteed properties nor a guaranteed durability. They are subject to modification. Our General Terms of Sale apply.

Georg Fischer Piping Systems Ltd, Postfach, CH-8201 Schaffhausen/Switzerland Phone +41 -(0)52-631 1111 e-mail: info.ps@georgfischer.com Internet: <http://www.gfps.com>