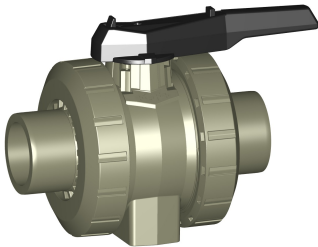


DN10/15 - 50



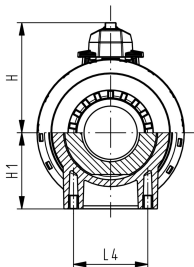
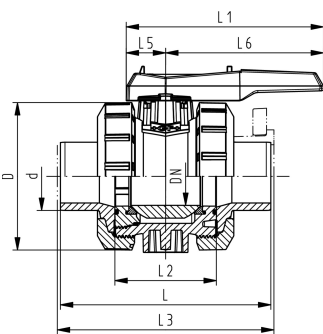
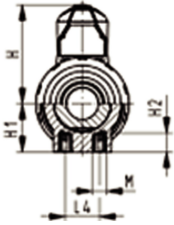
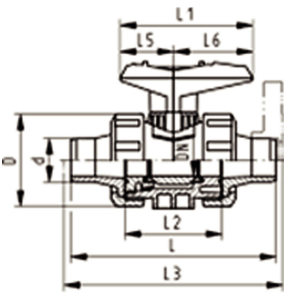
**PROGEF Plus silicone free**  
**Ball valve type 546**  
**With mounting inserts**  
**With socket fusion spigots metric**

**Model:**

- Material: PP-H / silicone free cleaned
- For easy installation and removal
- Ball seals PVDF
- Integrated stainless steel mounting inserts
- z-dimension, valve end and union nut are **not compatible** with type 346 (DN10/15-50) resp. type 370 (DN65-100)
- Double bagged

**Option:**

- Individual configuration of the valve (see diagram)
- Multifunctional module with integrated limit switches



d (mm)	DN (mm)	PN (bar)	kv-value ( $\Delta p=1$ bar) (l/min)	EPDM Code	SP	Weight (kg)	FKM Code	SP	Weight (kg)
16	10	10	71	167 546 621	1	0.120	167 546 631	1	0.120
20	15	10	185	167 546 622	1	0.120	167 546 632	1	0.120
25	20	10	350	167 546 623	1	0.180	167 546 633	1	0.180
32	25	10	700	167 546 624	1	0.260	167 546 634	1	0.260
40	32	10	1000	167 546 625	1	0.450	167 546 635	1	0.450
50	40	10	1600	167 546 626	1	0.640	167 546 636	1	0.640
63	50	10	3100	167 546 627	1	1.210	167 546 637	1	1.210
75	65	10	5000	167 546 628	1	3.800	167 546 638	1	3.800
90	80	10	7000	167 546 629	1	5.600	167 546 639	1	5.600
110	100	10	11000	167 546 630	1	8.800	167 546 640	1	8.800

d (mm)	D (mm)	H (mm)	H1 (mm)	H2 (mm)	L (mm)	L1 (mm)	L2 (mm)	L3 (mm)	L4 (mm)	L5 (mm)	L6 (mm)	M	closest inch (inch)
16	50	57	27	12	110	77	56		25	32	45	M6	3/8
20	50	57	27	12	120	77	56	130	25	32	45	M6	1/2
25	58	67	30	12	139	97	65	150	25	39	58	M6	3/4
32	68	73	36	12	150	97	71	160	25	39	58	M6	1
40	84	90	44	15	170	128	85	180	45	54	74	M8	1 1/4
50	97	97	51	15	190	128	89	200	45	54	74	M8	1 1/2
63	124	116	64	15	220	152	101	230	45	66	87	M8	2
75	166	149	85	15	280	270	136	290	70	64	206	M8	2 1/2
90	200	161	105	15	296	270	141	310	70	64	206	M8	3
110	238	178	123	22	336	320	164	350	120	64	256	M12	4

# Data sheet

valid from: 6/30/17

---



The technical data are not binding. They neither constitute expressly warranted characteristics nor guaranteed properties nor a guaranteed durability. They are subject to modification. Our General Terms of Sale apply.

Georg Fischer Piping Systems Ltd, Postfach, CH-8201 Schaffhausen/Switzerland

Phone +41 -(0)52-631 1111

e-mail: [info.ps@georgfischer.com](mailto:info.ps@georgfischer.com)

Internet: <http://www.gfps.com>