

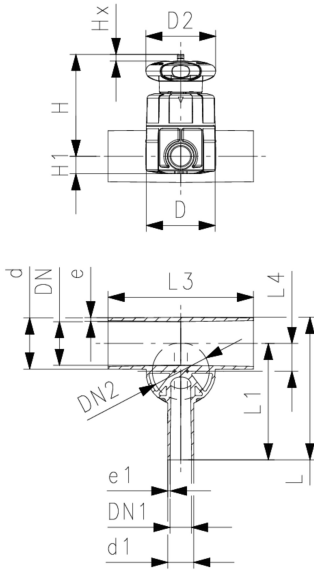
SYGEF Plus Diaphragm valve type 519
With butt fusion spigots metric SDR21

Model:

- Material: PVDF-HP
- Ideally suited for High Purity applications, not recommended for oxidizing acids
- Double flow rate compared to predecessor
- One housing nut replaces four screws
- Handwheel with built-in locking mechanism
- Smallest possible dead space
- **For water use only**

Option:

- Individual configuration of the valve
- Self adjusting multifunctional module with integrated limit switches

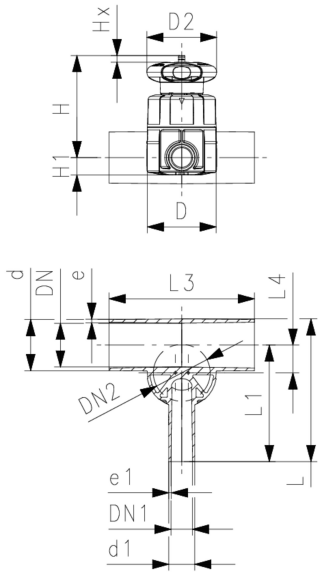


d	d1	DN	DN1	DN2	PN	kv-value	Size	Valve	PTFE/	Weight
(mm)	(mm)	(mm)	(mm)	(mm)	(bar)	($\Delta p=1$ bar)	(inch)	Size d	EPDM*	(kg)
						(l/min)		(mm)	Code	
20	20	15	15	15	16	57	½	20	180 519 301	0.350
25	20	20	15	20	16	89	¾	25	180 519 303	0.476
25	25	20	20	20	16	118	¾	25	180 519 304	0.633
32	20	25	15	20	16	80	1	25	180 519 307	0.692
32	25	25	20	20	16	105	1	25	180 519 308	0.721
32	32	25	25	25	16	231	1	32	180 519 309	0.889
40	20	32	15	25	16	85	1 ¼	32	180 519 312	0.963
40	25	32	20	25	16	119	1 ¼	32	180 519 313	0.812
40	32	32	25	25	16	153	1 ¼	32	180 519 314	0.845
40	40	32	32	25	16	187	1 ¼	32	180 519 315	0.866
50	20	40	15	20	16	86	1 ½	25	180 519 318	0.789
50	25	40	20	25	16	160	1 ½	32	180 519 319	0.905
50	32	40	25	25	16	206	1 ½	32	180 519 320	0.926
50	40	40	32	50	16	524	1 ½	63	180 519 321	2.381
50	50	40	40	50	16	667	1 ½	63	180 519 322	2.387
63	20	50	15	20	16	84	2	25	180 519 325	0.784
63	25	50	20	25	16	150	2	32	180 519 326	1.411
63	32	50	25	25	16	184	2	32	180 519 327	1.018
63	40	50	32	50	16	471	2	63	180 519 328	2.606
63	50	50	40	50	16	610	2	63	180 519 329	2.884
63	63	50	50	50	16	747	2	63	180 519 330	2.653
90	20	80	15	25	16	82	3	32	180 519 341	1.304
90	25	80	20	25	16	103	3	32	180 519 342	1.703
90	32	80	25	25	16	129	3	32	180 519 343	1.719
90	50	80	40	50	16	623	3	63	180 519 345	3.164
90	63	80	50	50	16	696	3	63	180 519 346	3.172
110	20	100	15	25	16	78	4	32	180 519 351	1.966
110	25	100	20	25	16	103	4	32	180 519 352	1.972
110	32	100	25	25	16	131	4	32	180 519 353	1.975
110	50	100	40	50	16	604	4	63	180 519 355	3.491
110	63	100	50	50	16	661	4	63	180 519 356	3.580

d	D	D2	H	H1	L	L1	L3	L4	e	e1	Lift =	closest
(mm)	(mm)	(mm)	(mm)	(mm)	(mm)	(mm)	(mm)	(mm)	(mm)	(mm)	Hx	inch
											(mm)	(inch)
20	65	65	75	14.0	117	96	162	12	1.9	1.9	7	½
25	80	65	80	17.5	133	108	162	16	1.9	1.9	10	¾
25	80	65	80	17.5	133	108	162	16	1.9	1.9	10	¾
32	80	65	84	21.5	142	120	162	19	2.4	1.9	10	1
32	80	65	84	21.5	142	120	162	19	2.4	1.9	10	1
32	88	87	107	21.5	145	120	160	19	2.4	2.4	13	1
40	88	87	115	21.5	149	128	180	23	2.4	1.9	13	1 ¼
40	88	87	115	21.5	149	128	180	23	2.4	1.9	13	1 ¼
40	88	87	115	21.5	149	128	180	23	2.4	2.4	13	1 ¼

Data sheet

valid from: 3/14/23



d (mm)	D (mm)	D2 (mm)	H (mm)	H1 (mm)	L (mm)	L1 (mm)	L3 (mm)	L4 (mm)	e (mm)	e1 (mm)	Lift = Hx (mm)	closest inch (inch)
40	88	87	115	21.5	174	153	180	23	2.4	2.4	13	1 ¼
50	80	65	97	17.5	160	134	180	27	3.0	1.9	10	1 ½
50	88	87	120	21.5	160	134	180	28	3.0	1.9	13	1 ½
50	88	87	120	21.5	160	134	180	28	3.0	2.4	13	1 ½
50	144	135	164	32.0	209	169	209	33	3.0	2.4	25	1 ½
50	144	135	164	32.0	209	169	209	33	3.0	3.0	25	1 ½
63	80	65	104	17.5	177	144	180	33	3.0	1.9	10	2
63	88	87	127	21.5	177	144	180	35	3.0	1.9	13	2
63	88	87	127	21.5	177	144	180	35	3.0	2.4	13	2
63	144	135	170	39.0	225	192	220	39	3.0	2.4	25	2
63	144	135	170	39.0	225	192	220	39	3.0	3.0	25	2
63	144	135	170	39.0	225	192	220	39	3.0	3.0	25	2
90	88	87	140	21.5	205	159	190	47	4.3	1.9	13	3
90	88	87	140	21.5	205	159	190	47	4.3	1.9	13	3
90	88	87	140	21.5	205	159	190	47	4.3	2.4	13	3
90	144	135	184	39.0	254	207	250	51	4.3	3.0	25	3
90	144	135	184	39.0	254	207	250	51	4.3	3.0	25	3
110	88	87	149	21.5	227	171	190	56	5.3	1.9	13	4
110	88	87	149	21.5	227	171	190	56	5.3	1.9	13	4
110	88	87	149	21.5	227	171	190	56	5.3	2.4	13	4
110	144	135	194	39.0	276	219	250	60	5.3	3.0	25	4
110	144	135	194	39.0	276	219	250	60	5.3	3.0	25	4

The technical data are not binding. They neither constitute expressly warranted characteristics nor guaranteed properties nor a guaranteed durability. They are subject to modification. Our General Terms of Sale apply.

Georg Fischer Piping Systems Ltd, Postfach, CH-8201 Schaffhausen/Switzerland

Phone +41 -(0)52-631 1111

e-mail: info.ps@georgfischer.com

Internet: <http://www.gfps.com>