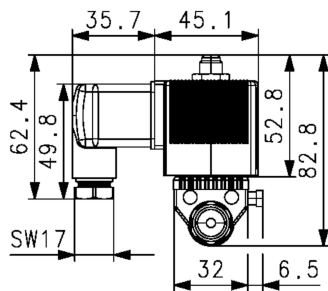
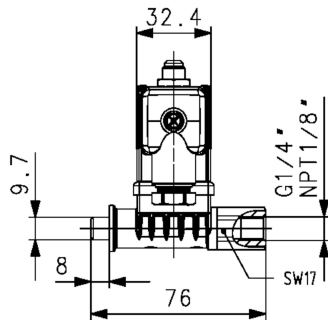




Solenoid pilot valve type PV95 3/2-way for single acting actuators

- For direct installation on single acting pneumatic actuators (FC/FO)
- Hollow screw
- Circuit function C: FC, closed in rest position
- Port A: actuator connection
- Port P: compressed air
- Power consumption: 24VA at AC inrush; 17VA/8W at AC hold; 8W at DC
- Connector plug form A
- Valve material: polyamid/PPS
- IP 65 with socket connector



DN (mm)	PN (bar)	kv-value ($\Delta p=1$ bar) (L/min)	Port P	Port A	Tension	FKM Code	SP	Weight (kg)
2	10	120	G 1/4	G 1/8	24 V DC	199 190 532	1	0.479
2	10	120	G 1/4	G 1/8	24 V, 50-60 Hz	199 190 533	1	0.406
2	10	120	G 1/4	G 1/8	110 V, 50-60 Hz	199 190 534	1	0.473
2	10	120	G 1/4	G 1/8	230 V, 50-60 Hz	199 190 535	1	0.435
2	10	120	NPT 1/8	G 1/4	24 V DC	199 190 554	1	0.487
2	10	120	NPT 1/8	G 1/4	110 V, 50-60 Hz	199 190 555	1	0.409

The technical data are not binding. They neither constitute expressly warranted characteristics nor guaranteed properties nor a guaranteed durability. They are subject to modification. Our General Terms of Sale apply.

Georg Fischer Piping Systems Ltd, Postfach, CH-8201 Schaffhausen/Switzerland Phone +41 -(0)52-631 1111 e-mail: info.ps@georgfischer.com Internet: <http://www.gfps.com>