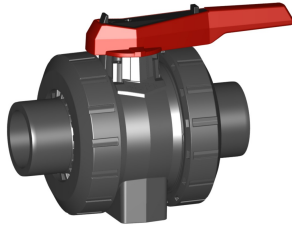


DN10/15 - 50



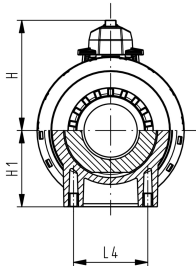
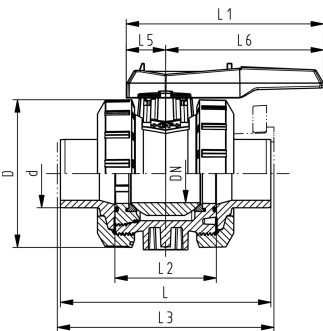
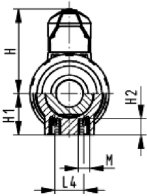
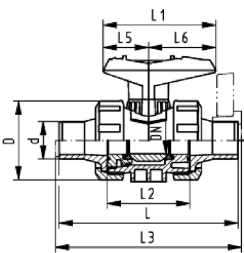
**Ball valve type 546 PVC-U**  
**With mounting inserts**  
**With solvent cement spigots metric**

**Model:**

- For easy installation and removal
- Ball seals PTFE
- Integrated stainless steel mounting inserts
- z-dimension, valve end and union nut are **not compatible** with type 346 (DN10/15-50) resp. type 370 (DN65-100)

**Option:**

- Individual configuration of the valve (see diagram)
- Multifunctional module with integrated limit switches
- Pneumatic or electric actuators from +GF+



d (mm)	DN (mm)	PN (bar)	kv-value ( $\Delta p=1$ bar) (L/min)	EPDM Code	SP	Weight (kg)	FKM Code	SP	Weight (kg)
16	10	16	71	161 546 721	1	0.157	161 546 731	1	0.157
20	15	16	185	161 546 722	1	0.157	161 546 732	1	0.157
25	20	16	350	161 546 723	1	0.242	161 546 733	1	0.242
32	25	16	700	161 546 724	1	0.359	161 546 734	1	0.347
40	32	16	1000	161 546 725	1	0.620	161 546 735	1	0.620
50	40	16	1600	161 546 726	1	0.869	161 546 736	1	0.845
63	50	16	3100	161 546 727	1	1.550	161 546 737	1	1.550
75	65	16	5000	161 546 728	1	3.689	161 546 738	1	5.100
90	80	16	7000	161 546 729	1	5.512	161 546 739	1	7.500
110	100	16	11000	161 546 730	1	11.900	161 546 740	1	11.900

d (mm)	D (mm)	H (mm)	H1 (mm)	H2 (mm)	L (mm)	L1 (mm)	L2 (mm)	L3 (mm)	L4 (mm)	L5 (mm)	L6 (mm)	M	closest inch (inch)
16	50	57	27	12	114	77	56	130	25	32	45	M6	3/8
20	50	57	27	12	124	77	56	130	25	32	45	M6	1/2
25	58	67	30	12	144	97	65	150	25	39	58	M6	3/4
32	68	73	36	12	154	97	71	160	25	39	58	M6	1
40	84	90	44	15	174	128	85	180	45	54	74	M8	1 1/4
50	97	97	51	15	194	128	89	200	45	54	74	M8	1 1/2
63	124	116	64	15	224	152	101	230	45	66	87	M8	2
75	166	149	85	15	284	270	136	290	70	64	206	M8	2 1/2
90	200	161	105	15	300	270	141	310	70	64	206	M8	3
110	238	178	123	22	340	320	164	350	120	64	256	M12	4

The technical data are not binding. They neither constitute expressly warranted characteristics nor guaranteed properties nor a guaranteed durability. They are subject to modification. Our General Terms of Sale apply.

# Data sheet

valid from: 6/30/17

---



Georg Fischer Piping Systems Ltd, Postfach, CH-8201 Schaffhausen/Switzerland

Phone +41 -(0)52-631 1111

e-mail: [info.ps@georgfischer.com](mailto:info.ps@georgfischer.com)

Internet: <http://www.gfps.com>